

Interzum Highlights

New Products 2011

Lifestyle meets

room



Furniture Handles, Wardrobe Hooks

Furniture handles – Stainless steel	2
Furniture handles – Aluminium.....	4
Furniture handles – Zinc alloy	8
Furniture knobs – Zinc alloy	21
Furniture handles – Wood and metal	23
Furniture knobs – Plastic.....	25
Furniture knobs – Plastic and metal.....	26
Furniture handles – Leather	27
Handle profiles – Aluminium.....	28
Inset handles – Stainless steel.....	29
Inset handles – Zinc alloy.....	30
Glass door handles – Stainless steel.....	37
Hat and coat hangers – Stainless steel.....	38
Hat and coat hangers – Zinc alloy.....	41
Hat and coat hangers – Wood and metal.....	42
Wardrobe hooks – Stainless steel.....	43
Wardrobe hooks – Zinc alloy.....	44
Coat hangers – Wood	46

Connectors, Lightweight Panel Fittings, Shelf Supports

RTA connector – Tofix	47
RTA connector – Minifix system	48
Shelf connector – Rafix Tab 20 S.....	49

Hinges, Flap Fittings

Flap stay with pull cable	51
Hinges for concealed mounting – Zinc alloy	52
Stainless steel hinges	53
Flap fittings – Flap stays	54
Flap fittings – Lid stays.....	55
Hinges and flap fittings – Soft closing mechanism	57
Metalla Concealed hinges – For wooden doors.....	58
Metalla Concealed hinges – With quick-fixing system (SM).....	59

Locking systems, Locks, Catches, Safes

Locker locks and safes.....	60
-----------------------------	----

Kitchen Fittings and Accessories

Sinks and electrical appliances – Extractor hoods.....	62
Sinks and taps – Sinks.....	64
Sinks and taps – Taps	65
Accessories for kitchen cabinets – Cabinet hangers	66
Kitchen cabinet fittings – Larder unit.....	67
Sinks and electrical appliances – Refrigerators	69
Kitchen cabinet fittings – Lift fittings for wall units.....	71

Drawer and front extension – Drawer side runner system	72
Drawer and front extension – Drawer inserts	79
Cabinet fittings and accessories – Accessories	80
Cabinet fitting and accessories, waste bins – For installation behind fronts.....	82

Living Room, Bedroom, Bathroom and Storage Space Equipment

Wardrobe fittings and accessories	83
iDock Basic	84
Manual lift system	85
Fittings for TV and HiFi cabinets – Mini-Lift	86
Push lift	87
Lift Slatted frame	88

Drawer Side Systems, Drawer Runners, Sliding and Pull Out Cabinet Runners

Drawer runners – Aluminium ball bearing runners	89
---	----

Sliding Door Fittings, Tambour Doors

Wooden sliding doors – Flush fitted	90
Wooden sliding doors – Vorfront.....	92
Wooden sliding doors – Infront	104
Wooden sliding doors – Mixfront.....	114
Vertical sliding door fittings for wooden doors – Infront..	116
Accessories for sliding doors – Electric sliding door drive	118
Tambour doors – Plastic.....	119

Office Equipment

Office furniture drawer systems – Variant-C	120
Desking systems – Idea E Motion.....	122

Table Fittings, Table Frames, Furniture Feet, Castors

Table legs – Steel.....	123
Table lift bases	125

Lighting

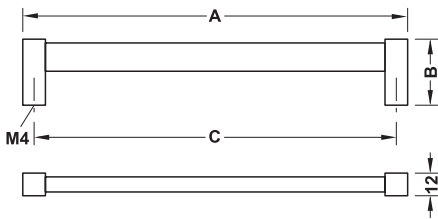
LED light panel.....	127
Wall mirror with LED light.....	128

Fixing Material, Glass Gluing Fittings

Red Jig Drilling jig	129
----------------------------	-----

Appendix

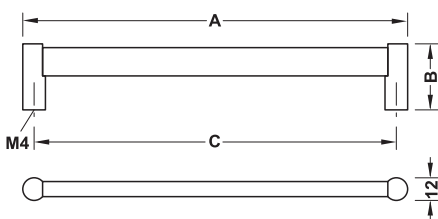
Address information worldwide	130
Imprint	131



- Material: Stainless steel, quality 1.4305
- Finish: Matt brushed

Dim. A mm	Dim. B mm	Dim. C mm	Cat. No.
140	35	128	100.66.022
172	35	160	100.66.023
204	35	192	100.66.024

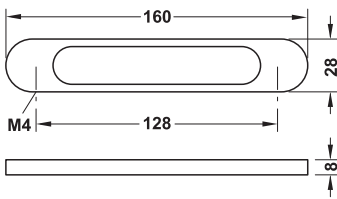
Packing: 1 or 10 pieces



- Material: Stainless steel, quality 1.4305
- Finish: Matt brushed

Dim. A mm	Dim. B mm	Dim. C mm	Cat. No.
140	35	128	100.66.032
172	35	160	100.66.033
204	35	192	100.66.034

Packing: 1 or 10 pieces

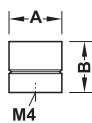
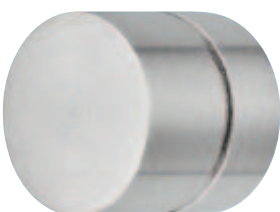


- Material: Stainless steel, quality 1.4301

Finish	Cat. No.
Matt brushed	112.00.062

Packing: 1 or 10 pieces

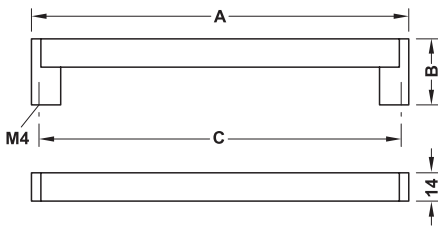
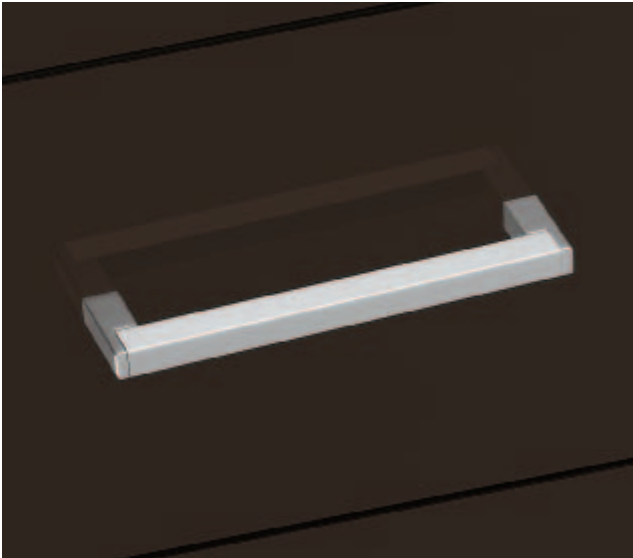
Highlights 2011, HDE-en, 05/11; Dimensional data not binding. We reserve the right to alter specifications without notice.



- Material: Stainless steel, quality 1.4301
- Finish: Matt

Dim. A mm	Dim. B mm	Cat. No.
18	23	134.88.611
23	25	134.88.612
28	28	134.88.610

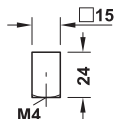
Packing: 1 or 25 pieces



- Material: Handle: Aluminium, base: Zinc alloy
- Finish: Handle: Stainless steel coloured brushed, base: Stainless steel coloured

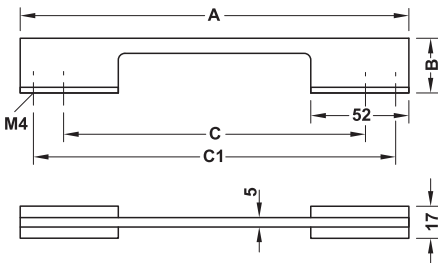
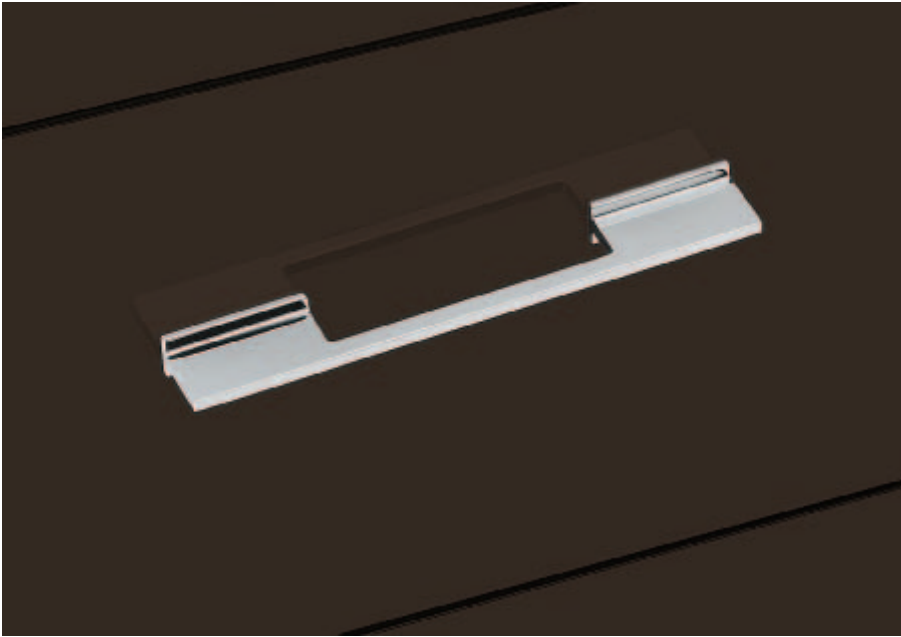
Dim. A mm	Dim. B mm	Dim. C mm	Cat. No.
168	35	160	100.88.032
200	35	192	100.88.033
232	35	224	100.88.034
296	35	288	100.88.035
360	35	352	100.88.037

Packing: 1 or 10 pieces



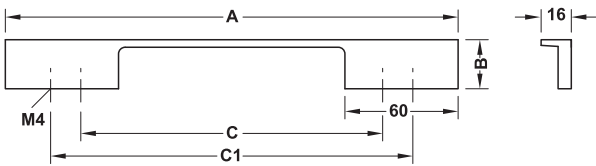
Finish	Cat. No.
Silver coloured brushed	131.98.910

Packing: 1 or 25 pieces



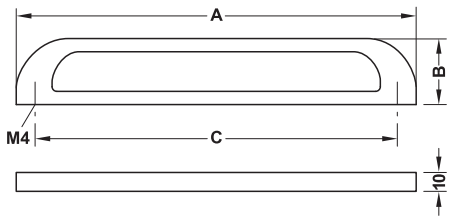
Finish	Dim. A mm	Dim. B mm	Dim. C mm	Dim. C1 mm	Cat. No.
Chrome plated polished	206	29	160	192	112.81.273
	334	29	288	320	112.81.278
Silver coloured	206	29	160	192	112.81.973
	334	29	288	320	112.81.978

Packing: 1 or 10 pieces



Finish	Dim. A mm	Dim. B mm	Dim. C mm	Dim. C1 mm	Cat. No.
Chrome plated polished	240	26	160	192	112.83.223
	360	26	288	320	112.83.228
Silver coloured	240	26	160	192	112.83.923
	360	26	288	320	112.83.928

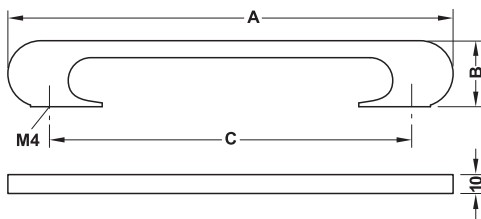
Packing: 1 or 10 pieces



• Finish: Stainless steel coloured

Dim. A mm	Dim. B mm	Dim. C mm	Cat. No.
212	35	192	112.82.084
244	35	224	112.82.085
308	35	288	112.82.087
372	35	352	112.82.089

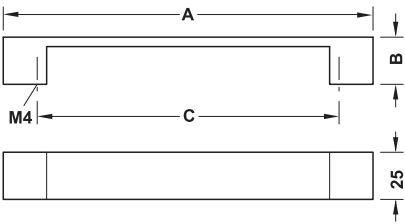
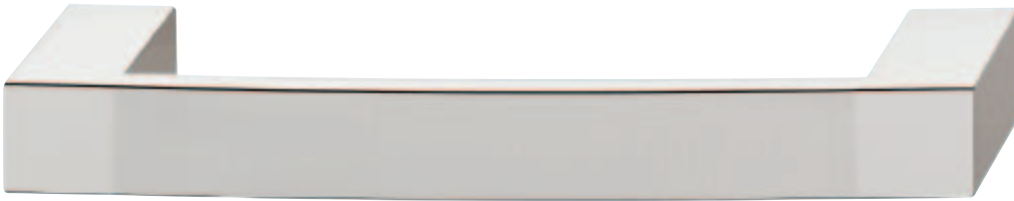
Packing: 1 or 10 pieces



• Finish: Stainless steel coloured

Dim. A mm	Dim. B mm	Dim. C mm	Cat. No.
236	35	192	112.82.074
268	35	224	112.82.075
332	35	288	112.82.077
396	35	352	112.82.079

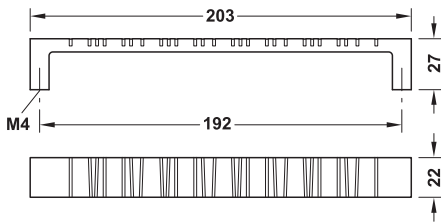
Packing: 1 or 10 pieces



- Finish: Nickel plated polished/matt

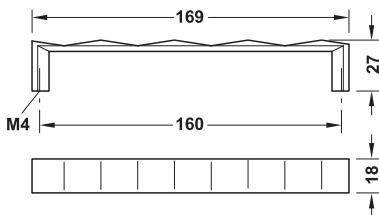
Dim. A mm	Dim. B mm	Dim. C mm	Cat. No.
196	25	160	109.50.633
228	25	192	109.50.635

Packing: 1 or 25 pieces



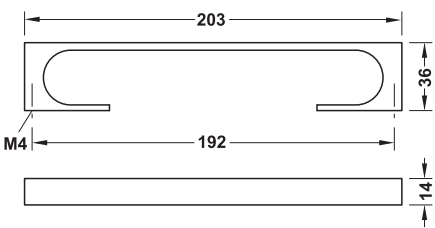
Finish	Cat. No.
Chrome plated polished	109.50.284

Packing: 1 or 50 pieces



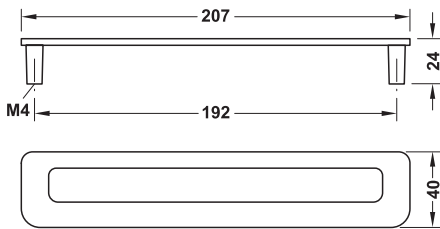
Finish	Cat. No.
Stainless steel coloured	109.50.093
Chrome plated matt	109.50.493

Packing: 1 or 50 pieces



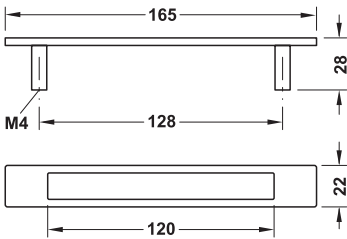
Finish	Cat. No.
Chrome plated polished	111.04.214
Stainless steel coloured	111.04.614

Packing: 1 or 25 pieces



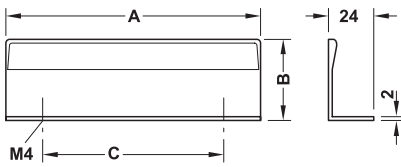
Finish	Cat. No.
Chrome plated polished	104.32.264
Stainless steel coloured	104.32.064

Packing: 1 or 10 pieces



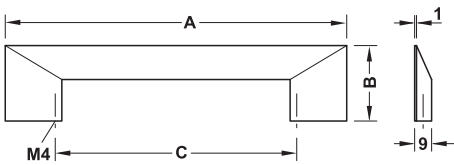
Finish	Cat. No.
Chrome plated polished	104.50.212
Chrome plated matt	104.50.412

Packing: 1 or 25 pieces



Finish	Dim. A mm	Dim. B mm	Dim. C mm	Packing pieces	Cat. No.
Chrome plated polished	71	44	32	1 or 25	124.02.230
	135	44	96	1 or 25	124.02.231
	231	44	192	1 or 20	124.02.234
Nickel plated brushed	71	44	32	1 or 25	124.02.630
	135	44	96	1 or 25	124.02.631
	231	44	192	1 or 20	124.02.634

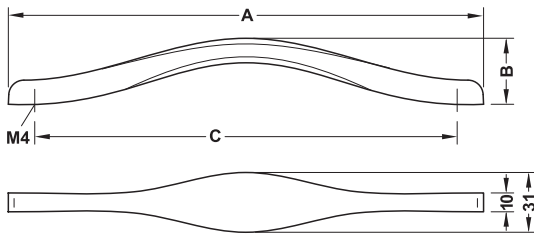
Highlights 2011, HDE-en, 05/11; Dimensional data not binding. We reserve the right to alter specifications without notice.



- Finish: Nickel plated, matt brushed

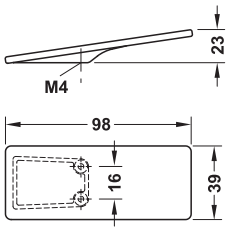
Dim. A mm	Dim. B mm	Dim. C mm	Cat. No.
117	40	64	113.96.630
181	40	128	113.96.632
213	40	160	113.96.634

Packing: 1 or 25 pieces



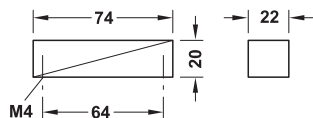
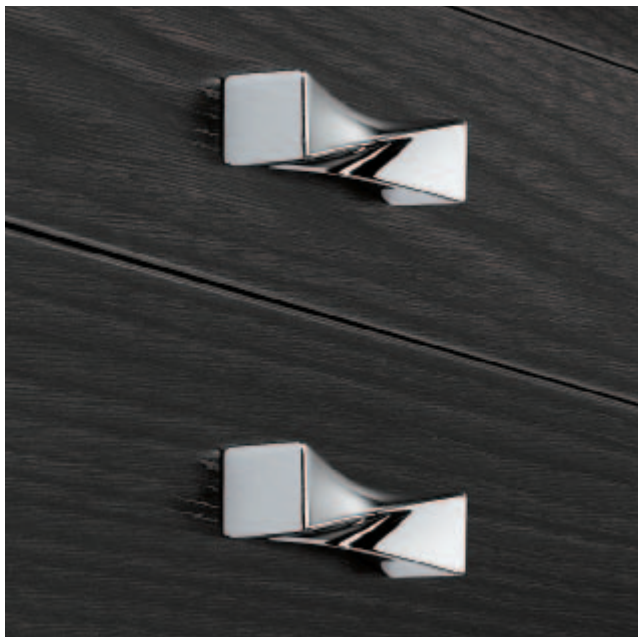
Finish	Dim. A mm	Dim. B mm	Dim. C mm	Cat. No.
Chrome plated polished	252	35	224	107.20.215
Nickel plated, matt brushed	333	35	320	107.20.218
	252	35	224	107.20.615
	333	35	320	107.20.618

Packing: 1 or 25 pieces



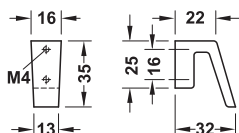
Finish	Cat. No.
Nickel plated brushed	102.02.610
Aluminium coloured	102.02.910

Packing: 1 or 25 pieces



Finish	Cat. No.
Chrome plated polished	111.36.210
Chrome plated matt	111.36.410
Nickel plated brushed	111.36.610

Packing: 1 or 50 pieces

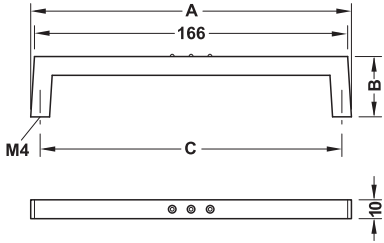


Finish	Cat. No.
Chrome plated matt	133.67.410
Nickel plated matt	133.67.610

Packing: 1 or 25 pieces

Note

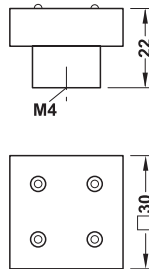
This handle can also be used as wardrobe hook.



- Material: Handle: Zinc alloy, inset: Crystals
- Finish: Handle: Nickel plated, matt brushed, inset: Transparent

Dim. A mm	Dim. B mm	Dim. C mm	Cat. No.
138	32	128	102.12.622
170	32	160	102.12.623

Packing: 1 or 25 pieces



- Material: Handle: Zinc alloy, inset: Crystals

Finish	Cat. No.
Handle: Nickel plated, matt brushed Inset: Transparent	131.10.610

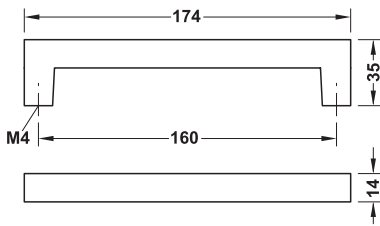
Packing: 1 or 25 pieces



The handles are covered with precious crystals and may only be cleaned using a soft cloth.

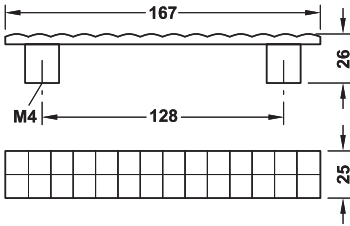


Signs of use have been intentionally incorporated in this handle. This makes every handle unique.



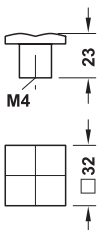
Finish	Cat. No.
Iron used look	110.22.022

Packing: 1 or 25 pieces



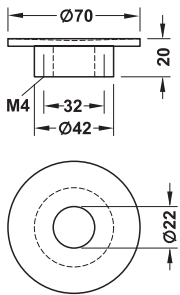
Finish	Cat. No.
Tin plated antique	104.96.942

Packing: 1 or 25 pieces



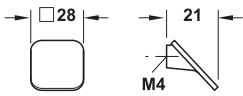
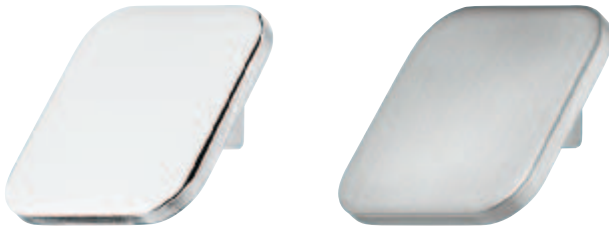
Finish	Cat. No.
Tin plated antique	120.23.940

Packing: 1 or 25 pieces



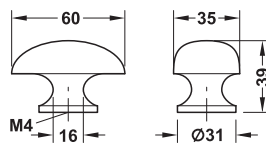
Finish	Cat. No.
Chrome plated polished	152.10.210
Nickel plated, matt brushed	152.10.610

Packing: 1 or 25 pieces



Finish	Cat. No.
Chrome plated polished	132.72.230
Stainless steel coloured	132.72.030

Packing: 1 or 25 pieces



Finish	Cat. No.
Nickel plated, matt brushed	137.55.610

Packing: 1 or 25 pieces

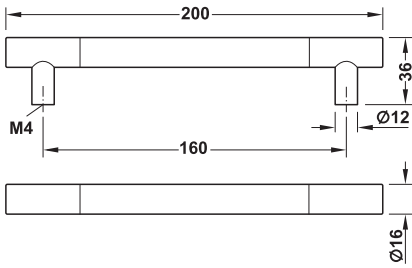


Side view

- Finish: Handle: Lacquered, base: Matt

Material	Cat. No.
Handle: Beech Base: Stainless steel	109.87.703

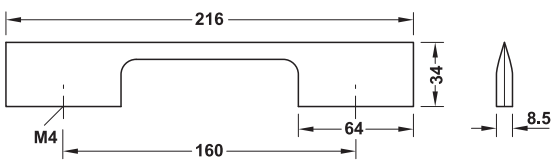
Packing: 1 or 10 pieces



- Finish: Lacquered

Material	Cat. No.
Walnut	193.43.713
Oak	193.43.413

Packing: 1 or 25 pieces

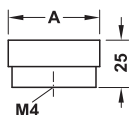
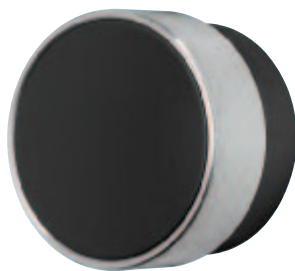




Ä



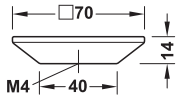
The knob can also be used as turn knob for locks with 7 mm square spindle aperture in combination with the Variofitting pin Ø 60 mm, Cat. No. 227.00.992.



- Finish: Knob: Lacquered, ring: Stainless steel coloured

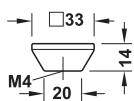
Material	Version	Dim. A mm	Cat. No.
Knob: Walnut Ring: Zinc alloy	–	26	194.02.702
	–	48	194.02.700
	With recess for Variofitting pin	60	194.02.701
Knob: Black Ring: Zinc alloy	–	26	194.02.342
	–	48	194.02.340
	With recess for Variofitting pin	60	194.02.341
Knob: Oak Ring: Zinc alloy	–	48	194.02.400
	With recess for Variofitting pin	60	194.02.401

Packing: 1 or 25 pieces



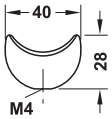
Finish	Cat. No.
White transparent	138.10.410

Packing: 1 or 25 pieces



Finish	Cat. No.
White transparent	138.10.400
Black transparent	138.10.403

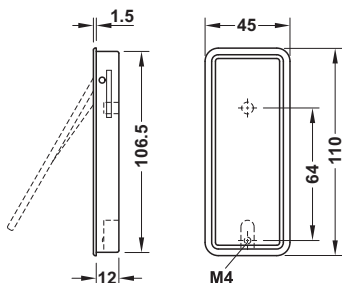
Packing: 1 or 25 pieces



- Material: Knob: Zinc alloy, inset: Plastic

Finish	Cat. No.
Knob: Chrome plated polished Inset: Green	134.08.200
Knob: Chrome plated polished Inset: White	134.08.270

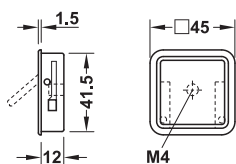
Packing: 1 or 25 pieces



- Material: Handle: Zinc alloy, inset: Leather

Finish/colour	Cat. No.
Handle: Stainless steel coloured Inset: Dark brown	151.96.030

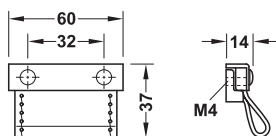
Packing: 1 or 25 pieces



- Material: Handle: Zinc alloy, inset: Leather

Finish/colour	Cat. No.
Handle: Stainless steel coloured Inset: Dark brown	151.96.020

Packing: 1 or 50 pieces



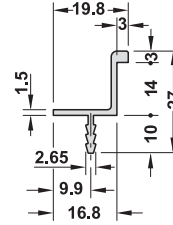
- Material: Handle: Leather, base: Zinc alloy

Finish	Cat. No.
Handle: Dark brown Base: Stainless steel coloured	110.76.030

Packing: 1 or 20 pieces



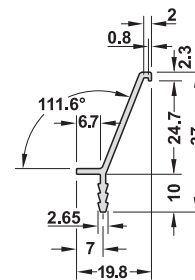
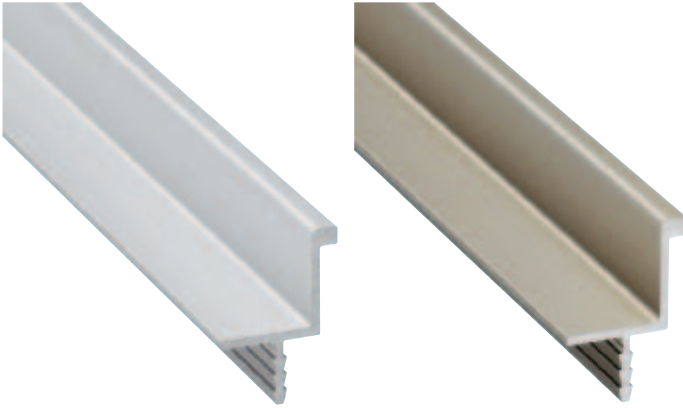
A
 Attractive furniture fronts without handles
 can be created with these handle profiles.



- Length: 2,500 mm
- Effective length: 2,450 mm

Finish	Cat. No.
Silver coloured anodized (E6/EV1)	126.35.945
Stainless steel coloured	126.35.045

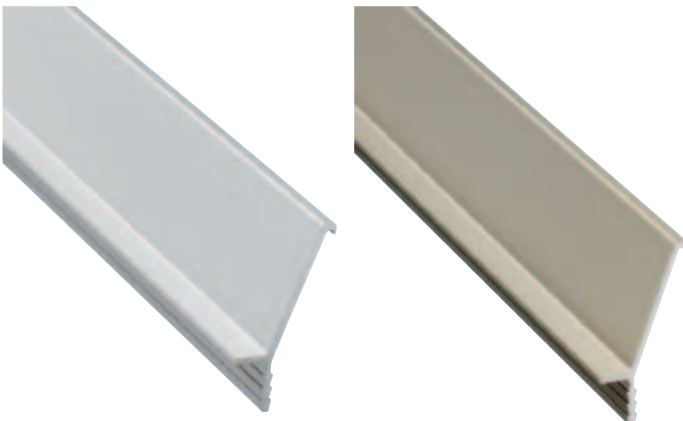
Packing: 1 piece

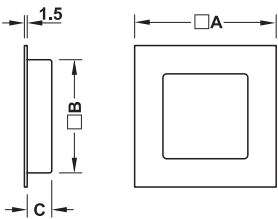


- Length: 2,500 mm
- Effective length: 2,450 mm

Finish	Cat. No.
Silver coloured anodized (E6/EV1)	126.35.935
Stainless steel coloured	126.35.035

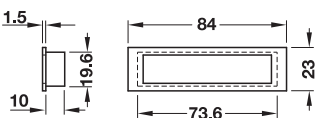
Packing: 1 piece





- Material: Stainless steel, quality 1.4301
- Finish: Matt brushed
- Installation: Fixing without screws, for glue fixing

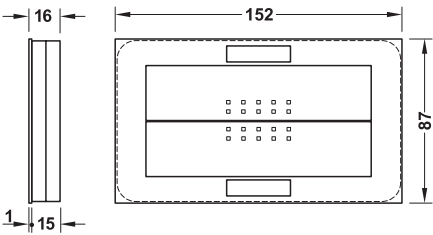
Dim. A mm	Dim. B mm	Dim. C mm	Packing pieces	Cat. No.
50	40	13	1 or 10	152.52.040
75	60	13	1 or 10	152.52.041
145	115	13	1	152.52.042



- Material: Stainless steel, quality 1.4301
- Installation: Fixing without screws, for glue fixing

Finish	Cat. No.
Matt brushed	152.52.000
Polished	152.52.060

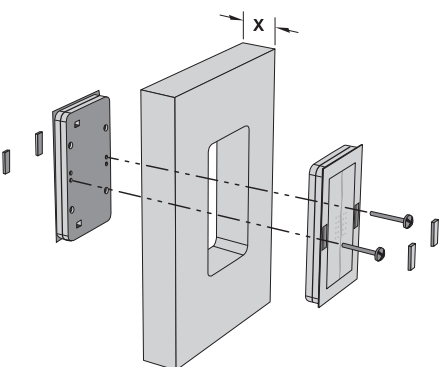
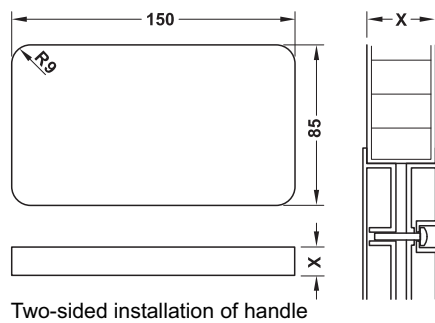
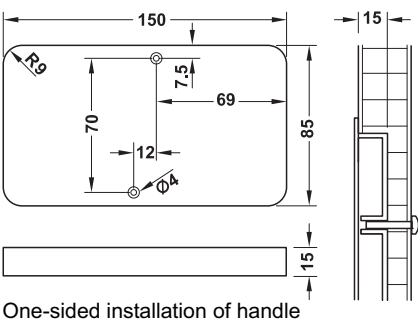
Packing: 1 or 10 pieces



- Material: Front plate and flaps: Zinc alloy, back: Plastic
- Finish: Front plate and flaps: Stainless steel coloured
- Area of application: For furniture and room sliding doors

Finish	Cat. No.
Front plate and flaps: Stainless steel coloured	152.16.002

Packing: 1 piece





A

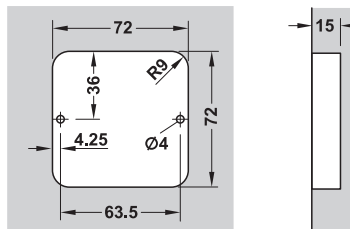
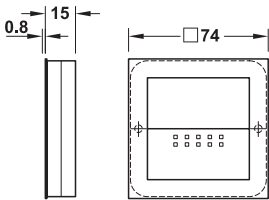
- Integrated and smooth appearance of the furniture
- Does not protrude from the furniture front
- The closed flaps help to avoid dirt in the handle shell
- The pleasant feel and fully adequate grip area of the handle enable optimal opening

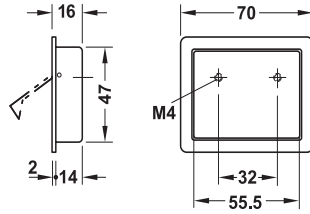


- Material: Front plate and flaps: Zinc alloy, back: Plastic
- Colour: Back: Black
- Fixing material: Raised head screw 4 x 15 mm (Cat. No. 018.10.113)

Finish	Cat. No.
Front plate and flaps: Stainless steel coloured	152.16.003

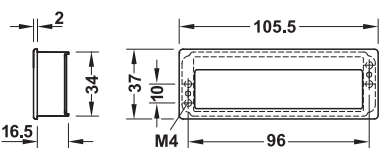
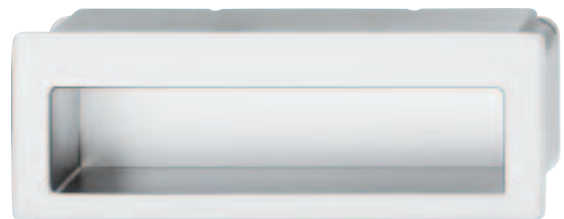
Packing: 1 piece





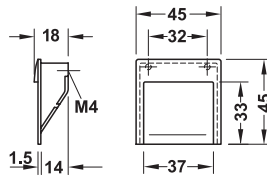
Finish	Cat. No.
Nickel plated brushed	111.75.610

Packing: 1 or 25 pieces



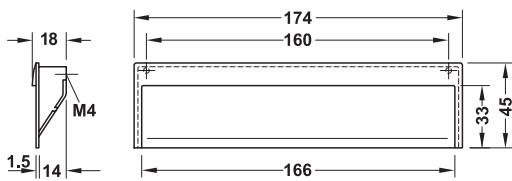
Finish	Cat. No.
Chrome plated polished	151.05.211
Chrome plated matt	151.05.411

Packing: 1 or 50 pieces



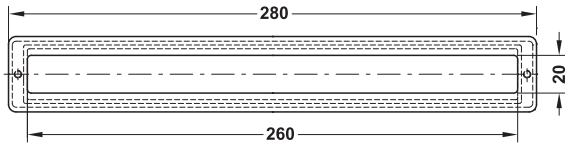
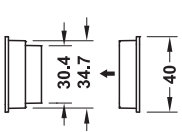
Finish	Cat. No.
Nickel plated brushed	151.11.610

Packing: 1 or 25 pieces



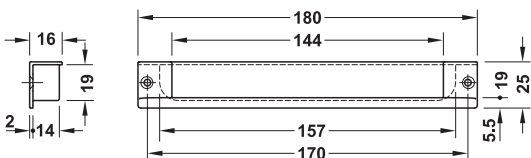
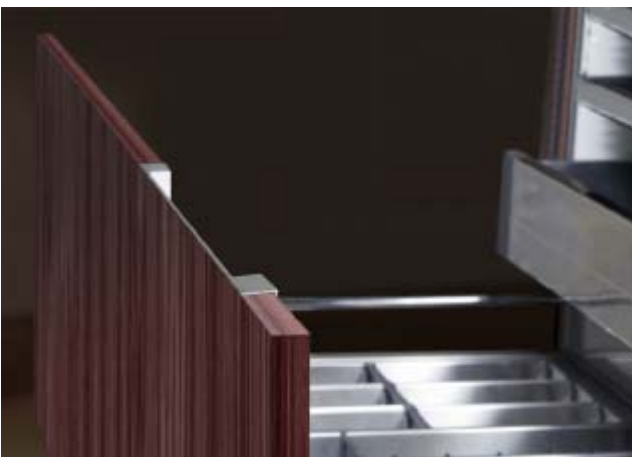
Finish	Cat. No.
Nickel plated brushed	151.11.613

Packing: 1 or 25 pieces



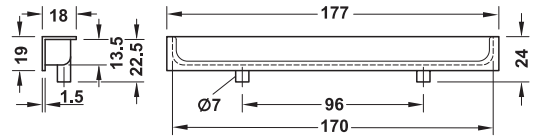
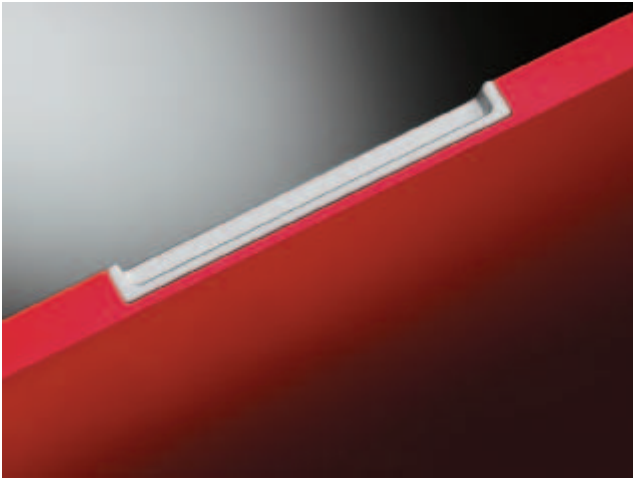
Finish	Cat. No.
Stainless steel coloured	151.11.620

Packing: 1 or 10 pieces



Finish	Cat. No.
Aluminium coloured	108.68.914

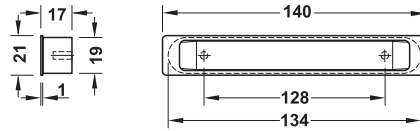
Packing: 25 pieces



- Installation: Fixing without screws, for press fitting and glue fixing

Finish	Cat. No.
Chrome plated polished	151.47.231
Aluminium coloured	151.47.931

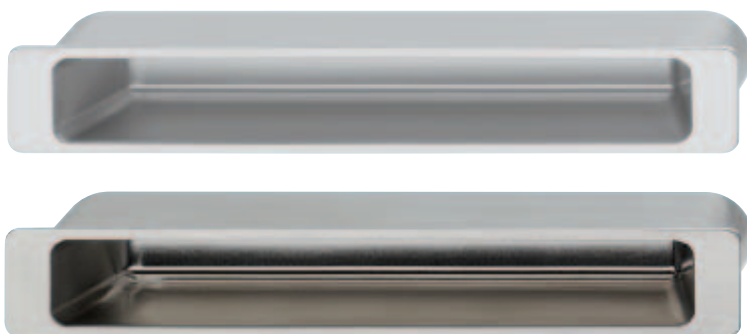
Packing: 1 or 20 pieces

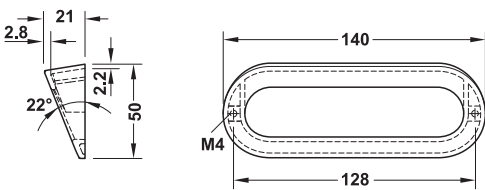
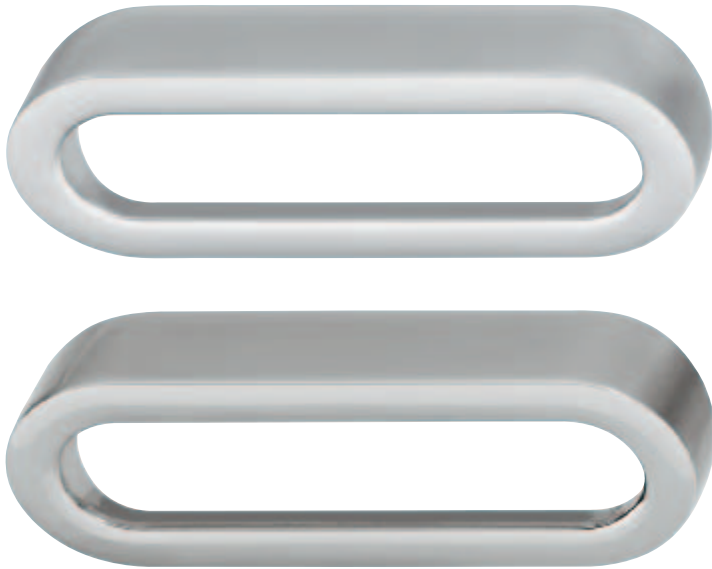


- Installation: Fixing without screws, for glue fixing

Finish	Cat. No.
Aluminium coloured	151.58.912
Stainless steel coloured	151.58.012

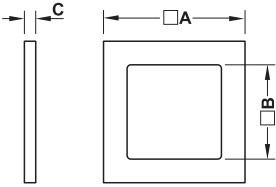
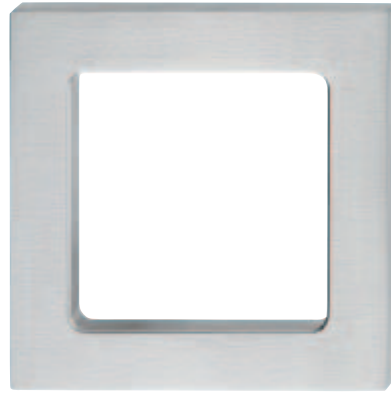
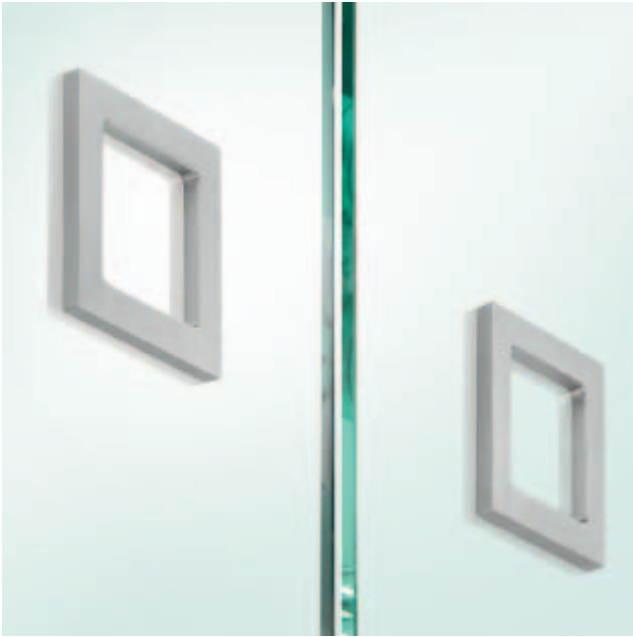
Packing: 1 or 25 pieces





Finish	Cat. No.
Chrome plated matt	151.33.222
Stainless steel coloured	151.33.022

Packing: 1 or 50 pieces



- Material: Stainless steel, quality 1.4301
- Finish: Matt brushed
- Installation: For glue fixing
- Area of application: For glass sliding doors

Dim. A mm	Dim. B mm	Dim. C mm	Cat. No.
50	30	6	151.77.011
75	50	6	151.77.012

Packing: 1 or 10 pieces

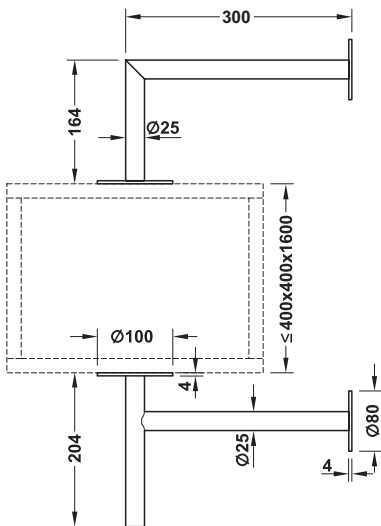
→ Fitting set, rotates through 360°, for cabinets



Design example with mirror on the front



Design example with shoe compartment on the rear



Note
Panel material not supplied



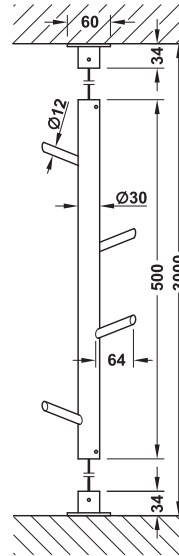
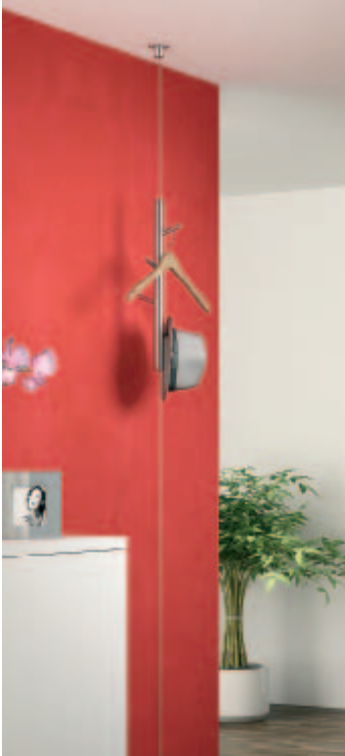
Storage spaces that are both decorative and functional can be created in living rooms, bathrooms or hallways using this wardrobe fitting set.

- Material: Stainless steel, quality 1.4305
- Installation: For wall mounting, for screw fixing
- Area of application: For cabinets, max. 400 x 400 x 1,600 mm (WxDxH)
- Fixing material supplied
- Load bearing capacity: 60 kg (including cabinet)

Finish	Cat. No.
Matt brushed	844.16.110

Packing: 1 piece

Wire cable hat and coat hanger, ceiling installation and floor mounting

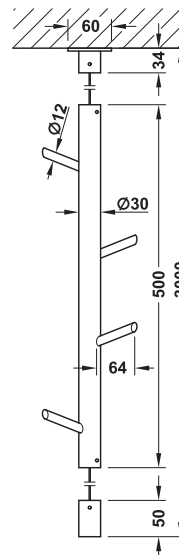


- Material: Stainless steel, quality 1.4305
- Version: Wire cable 3,000 mm long, can be shortened
- Installation: Ceiling installation and floor mounting
- Fixing material supplied
- Load bearing capacity: 50 kg when fixed to concrete ceiling

Finish	Cat. No.
Matt brushed	844.11.010

Packing: 1 piece

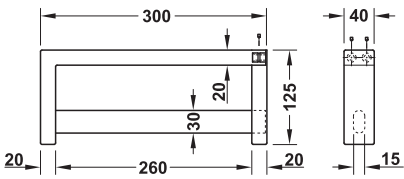
Hat and coat hanger suspended with wire cable, ceiling installation



- Material: Stainless steel, quality 1.4305
- Version: With pendulum, wire cable 3,000 mm long, can be shortened
- Installation: Ceiling installation
- Fixing material supplied
- Load bearing capacity: 50 kg when fixed to concrete ceiling

Finish	Cat. No.
Matt brushed	844.11.011

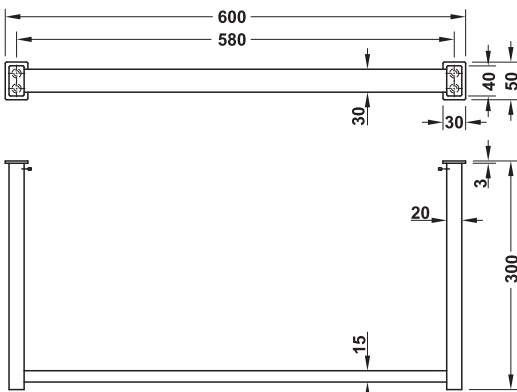
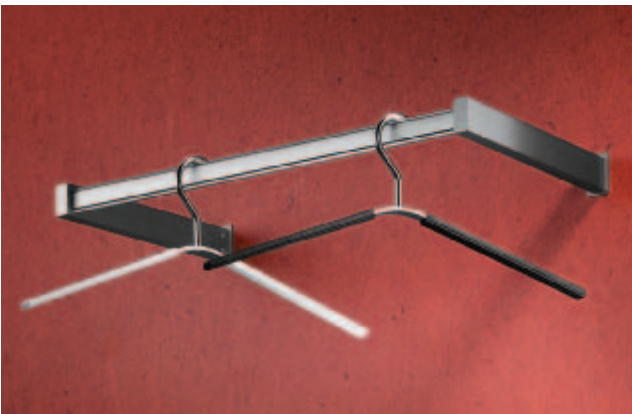
Packing: 1 piece



- Material: Stainless steel, quality 1.4305
- Installation: For wall mounting
- Fixing material supplied

Finish	Cat. No.
Matt brushed	844.19.050

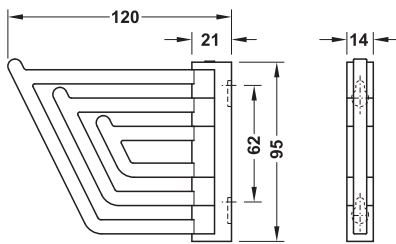
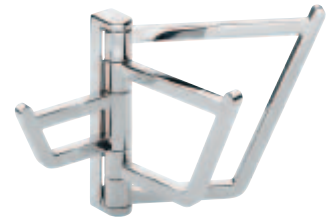
Packing: 1 piece



- Material: Stainless steel, quality 1.4305
- Installation: For wall mounting
- Fixing material supplied

Finish	Cat. No.
Matt brushed	844.19.051

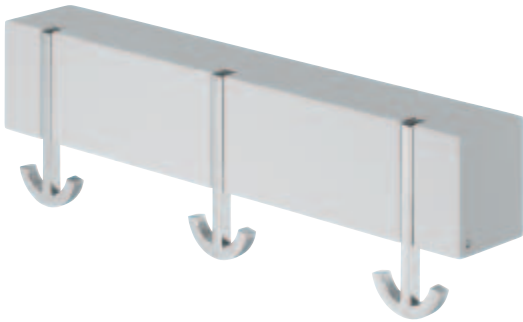
Packing: 1 piece



- Version: Swivelling hook
- Fixing material supplied

Finish	Cat. No.
Chrome plated polished	844.12.210

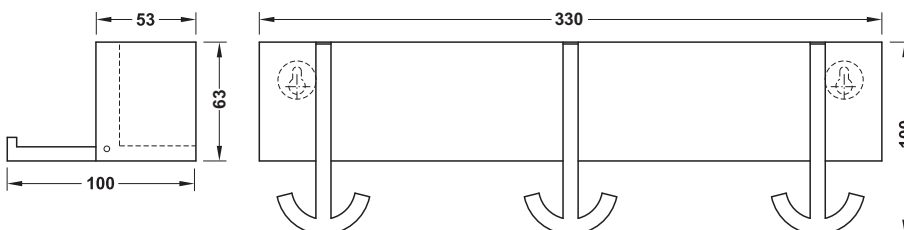
Packing: 1 piece

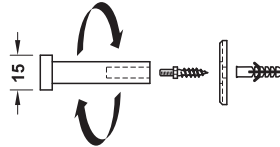
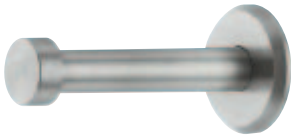


- Version: Folding hook, projection 47 mm
- Fixing material supplied

Material	Finish	Cat. No.
Hook rack: Beech Hook: Zinc alloy	Hook rack: Walnut oiled Hook: Chrome plated polished	844.26.600
Hook rack: Beech Hook: Zinc alloy	Hook rack: White lacquered Hook: Chrome plated polished	844.26.700
Hook rack: Beech Hook: Zinc alloy	Hook rack: Black lacquered Hook: Chrome plated polished	844.26.300

Packing: 1 piece

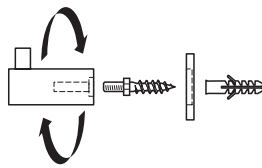




- Material: Stainless steel, quality 1.4301
- Finish: Matt brushed
- Version: With rose Ø 29 mm
- Fixing material supplied

Depth mm	Hook Ø mm	Cat. No.
32	10	844.72.030
52	10	844.72.031
72	10	844.72.032

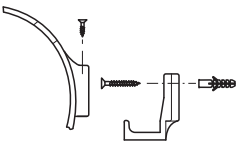
Packing: 1 or 10 pieces



- Material: Stainless steel, quality 1.4301
- Finish: Matt brushed
- Fixing material supplied

Depth mm	Hook Ø mm	Rose Ø mm	Cat. No.
46	15	35	842.57.010

Packing: 1 or 10 pieces



- Fixing material supplied

Finish	Width mm	Depth mm	Height mm	Cat. No.
Chrome plated polished	52	40	65	843.72.210
Stainless steel coloured	52	40	65	843.72.010

Packing: 1 or 25 pieces



- Hole centres: 16 mm
- Version: M4 thread

Finish	Width mm	Depth mm	Height mm	Cat. No.
Chrome plated polished	26	45	29	844.27.210
Chrome plated matt	26	45	29	844.27.410

Packing: 1 or 50 pieces



- Version: M4 thread

Finish	Depth mm	Hook Ø mm	Cat. No.
Chrome plated polished	32	14	844.38.200
White	32	14	844.38.700

Packing: 1 or 20 pieces



- Area of application: For hooking onto rails up to Ø 35 mm
- Material: Coat hanger: Laminated wood, hook: Zinc alloy
- Finish: Coat hanger: Wall nut face veneer, hook: Chrome plated polished
- Version: Hook fixed

Width mm	Height mm	Cross section mm	Cat. No.
450	175	Coat hanger: 40 x 8	842.71.730

Packing: 1 or 10 pieces



- Area of application: For hooking onto rails up to Ø 35 mm
- Material: Coat hanger: Laminated wood, hook: Zinc alloy
- Finish: Coat hanger: White matt lacquered, hook: Chrome plated polished
- Version: Hook fixed

Width mm	Height mm	Cross section mm	Cat. No.
460	200	Coat hanger: 33 x 13	842.71.750

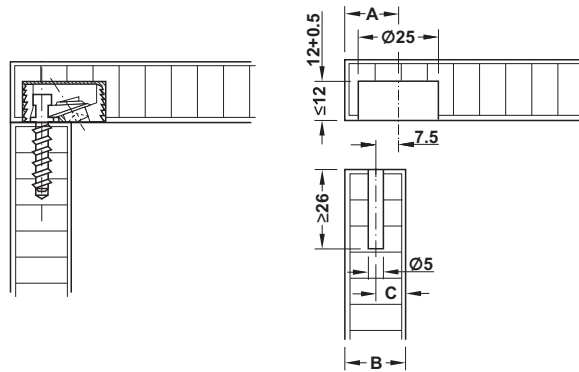
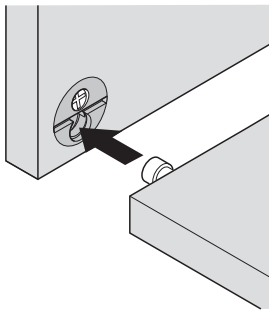
Packing: 1 or 10 pieces



- Area of application: For hooking onto rails up to Ø 35 mm
- Material: Coat hanger: Laminated wood, hook: Zinc alloy
- Finish: Coat hanger: Black matt lacquered, hook: Chrome plated polished
- Version: Hook fixed

Width mm	Height mm	Cross section mm	Cat. No.
460	200	Coat hanger: 33 x 13	842.71.350

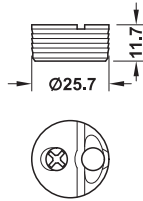
Packing: 1 or 10 pieces



Dim. A = drilling distance
Dim. B = wood thickness
Dim. C = half wood thickness

Drilling distance $A = (B/2) - 7.5$

Connector housing



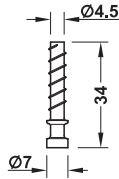
- Version: With pre-mounted tightening element
- Material: Connector housing: Plastic, tightening element: Zinc alloy
- Installation: Housing for press fitting

Colour	Cat. No.
Connector housing: White	261.95.704
Connector housing: Brown	261.95.104

Packing: 100 or 2000 pieces

Connecting bolt

→ For $\varnothing 5$ mm drill hole



- Version: With M5 direct thread
- Material: Steel, galvanized

Finish	Cat. No.
Galvanized	261.95.900

Packing: 100 or 2000 pieces

S300 Connecting bolt

→ For Ø 5 mm drill hole



→ For M6 thread



S300 Connecting bolt

New development from the Minifix system:

- Considerably more robust by increased breaking torque
- More secure hold in drill hole by increased overtorque
- No sagging into drill hole, drilling depth stop ensures ideal bolt position

- Material: Zinc alloy
- Thread: Special thread
- Drive: PZ2 cross slot

Thread length L mm	Drilling distance B mm	Cat. No.
8	34	262.28.461
8	24	262.27.461
11	34	262.28.462
11	24	262.27.462
15	34	262.28.463
15	24	262.27.463

Packing: 1 piece

- Material: Zinc alloy
- Thread: M6
- Drive: PZ2 cross slot

Thread length L mm	Drilling distance B mm	Cat. No.
8	34	262.28.471
8	24	262.27.471
12	34	262.28.472
12	24	262.27.472

Packing: 1 piece

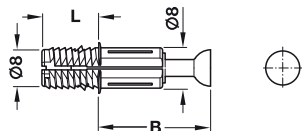
C100 Spreading bolt

- Area of application: For one-sided installation
- Material: Bolt: Zinc alloy, spreading sleeve: Plastic
- Installation: For toolless insertion and unscrewing

Functionality

When the connector is tightened the taper on the bolt spreads the sleeve and forces the threads into the wood. The stronger the tightening force acts, the securer the connection.

→ For Ø 8 mm drill hole



C100 Spreading bolt

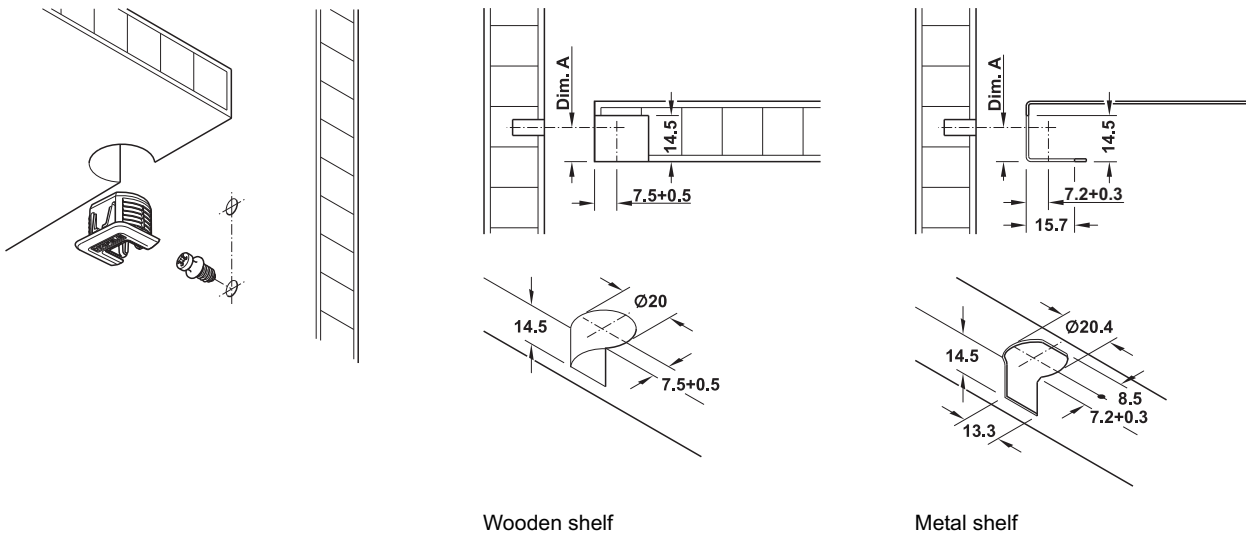
For industry, joiners and cabinet makers.

Connecting bolt for universal use within the Minifix connector system with special benefits:

- Extremely installation-friendly, no tools are required
- Excellent pull-out strength provided by double taper
- Drilling depth stop ensures ideal bolt position
- No surface damage caused by insertion and removal of spreading bolt

- Thread: Spreading sleeve

For wood thickness mm	Thread length L mm	Drilling distance B mm	Cat. No.
From 15	11.5	24	262.09.202
		34	262.09.302

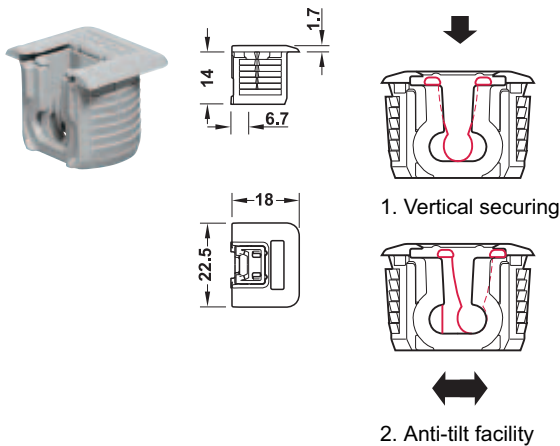


Wooden shelf

Metal shelf

- Area of application: For wooden and metal shelves
- Functionality: When the shelf is inserted, the connecting bolt first engages vertically into the housing (vertical securing), then the shelf is horizontally pressed in (anti-tilt facility) so that the shelf is protected from tilting and lifting
 - 1. Vertical securing:** Makes it difficult to unintentionally lift the shelf
 - 2. Anti-tilt facility:** Prevents tilting and unintentional removal of the shelf (e.g. when pulling out heavy objects)
- Dim. A: Distance from centre of bolt hole to top edge of connector housing 14.5 mm
- Drilling depth: 14.5 mm
- Installation: Tool-less installation for press fitting, harpoon fixing for wooden shelves, with clip fastener for metal shelves

→ Housing, for shelf thicknesses from 19 mm

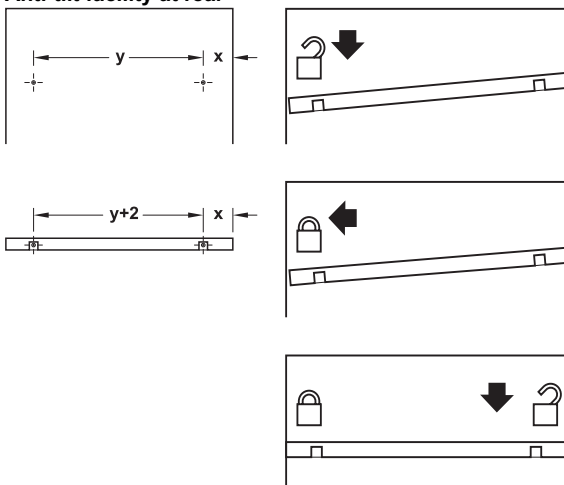


- Material: Plastic
- Version: With clip-in function and anti-tilt facility
- Diameter: 20 mm
- Installation: For press fitting

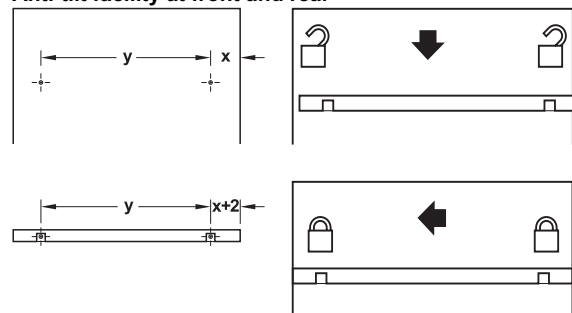
Dim. A mm	Drilling depth mm	Colour	Cat. No.
9.5	14.5	White	262.34.702
		Black	262.34.302
		Dust grey	262.34.502

Packing: 100 or 1000 pieces

Drilling pattern and installation:
Anti-tilt facility at rear

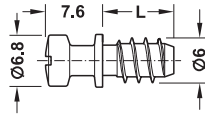


Drilling pattern and installation:
Anti-tilt facility at front and rear



→ **Variofix Connecting bolt**
For Ø 5 mm drill hole

For screw fixing

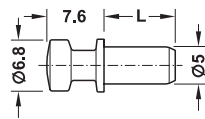


- Material: Steel
- Thread: Special thread
- Drive: PZ2 cross slot

Thread length L mm	Cat. No.
9.5	262.34.951
11.5	262.34.952

Packing: 100 or 1000 pieces

For inserting



- Material: Steel

Length L mm	Cat. No.
9.5	262.34.961

Packing: 100 or 1000 pieces



Variofix Connecting bolt

The system-encompassing connecting bolt with quick fixing system.

- For Rafix Tab 20 S as connecting bolt
- For Variant S+ office furniture as an integrated installation system consisting of:
 - Suspension filing frame
 - Locking mechanism and central lock
 - Locking/swivelling element
 - Continuously adjustable front panel support

Can be used with wood or wood/metal combinations, for screw fixing or inserting.

Flap stay with pull cable

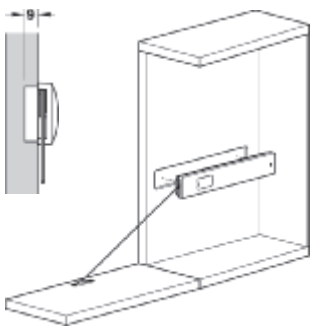


A

- Elegant design
- Silent soft opening
- Opening angle and braking effect can be adjusted conveniently
- Almost no loss of space inside the cabinet
- Lateral access to the cabinet contents with flap open

- Version: Aluminium polished, plastic black or white
- Mounting: Right hand and left hand version
- Dimensions: Housing: 42 x 22 x 257 mm (W x H x L)
- Internal cabinet depth: min. 290 mm
- Internal cabinet height: 200 – 480 mm
- Flap weight: max. 12 kg
- Adjusting facility: Opening and closing force, opening angle

Installation



Supplied with



Flap stay



Front panel for recess mounting
Installation instructions

Name	Version	Cat. No. left	Cat. No. right
Model A	Aluminium polished	365.47.901	365.47.900
	Plastic black	365.47.301	365.47.300
	Plastic white	365.47.701	365.47.700
Model B	Aluminium polished	365.47.903	365.47.902
	Plastic black	365.47.303	365.47.302
	Plastic white	365.47.703	365.47.702
Model C	Aluminium polished	365.47.905	365.47.904
	Plastic black	365.47.305	365.47.304
	Plastic white	365.47.705	365.47.704
Model D	Aluminium polished	365.47.907	365.47.906
	Plastic black	365.47.307	365.47.306
	Plastic white	365.47.707	365.47.706
Model E	Aluminium polished	365.47.909	365.47.908
	Plastic black	365.47.309	365.47.308
	Plastic white	365.47.709	365.47.708

Packing: 1 piece

Reference table for choosing the correct fitting when using a flap hinge

Flap hinge

Flap height mm	Flap weight kg	Model*				
		A	B	C	D	E
200 – 230	3 – 4,5	1	–	–	–	–
	4,5 – 6	–	1	–	–	–
	6 – 8	2	–	–	–	–
	8 – 10,5	–	2	–	–	–
	10,5 – 12	–	–	2	–	–
230 – 270	2,5 – 3,5	1	–	–	–	–
	3,5 – 4,5	–	1	–	–	–
	4,5 – 6	2	–	–	–	–
	6 – 10	–	2	–	–	–
	9 – 12	–	–	2	–	–
270 – 330	2 – 3	1	–	–	–	–
	3 – 3,5	–	1	–	–	–
	3,5 – 4,5	–	–	1	–	–
	4,5 – 5,5	2	–	–	–	–
	5,5 – 7	–	2	–	–	–
	7 – 8,5	–	–	2	–	–
	8 – 9,5	–	–	–	2	–
	9,5 – 11,5	–	–	–	–	2
330 – 380	2 – 2,5	1	–	–	–	–
	2,5 – 3,5	–	1	–	–	–
	3,5 – 4	–	–	1	–	–
	4 – 5,5	2	–	–	–	–
	5,5 – 7,5	–	2	–	–	–
	7 – 9	–	–	2	–	–
	7 – 10	–	–	–	2	–
	10 – 11	–	–	–	–	2
380 – 430	2 – 2,5	1	–	–	–	–
	2,5 – 3,5	–	1	–	–	–
	3,5 – 4	–	–	1	–	–
	4 – 5	2	–	–	–	–
	5 – 6,5	–	2	–	–	–
	6,5 – 8	–	–	2	–	–
	7,5 – 9	–	–	–	2	–
	9 – 10,5	–	–	–	–	2
430 – 460	2 – 2,5	1	–	–	–	–
	2,5 – 3,5	–	1	–	–	–
	3,5 – 4	–	–	1	–	–
	4 – 5	2	–	–	–	–
	5 – 6,5	–	2	–	–	–
	6,5 – 8	–	–	2	–	–
	8 – 9	–	–	–	2	–
460 – 480	2 – 2,5	1	–	–	–	–
	2,5 – 3	–	1	–	–	–
	3 – 5	2	–	–	–	–
	5 – 6,5	–	2	–	–	–
	6,5 – 8	–	–	2	–	–
	7 – 8,5	–	–	–	2	–
8 – 9,5	–	–	–	–	2	

* The specified number refers to the number of required flap stays. For planning dimensions please refer to installation instructions.

Hinge for concealed mounting

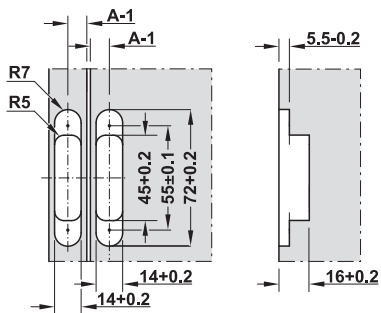
For wood thicknesses from 18 mm and above



- 3-dimensionally adjustable for door alignment with millimetre accuracy
- Wear and tear free bearing

- Opening angle: 180°
- Material: Zinc alloy/plastic
- For door thickness: min. 18 mm
- Adjustment facility: Height ± 1.5 mm, side ± 1 mm, depth ± 1.5 mm (with overlay mounting), height ± 1.5 mm, side ± 1.5 mm, depth ± 1 mm (with inset mounting)
- Installation: For screw fixing

Drilling pattern

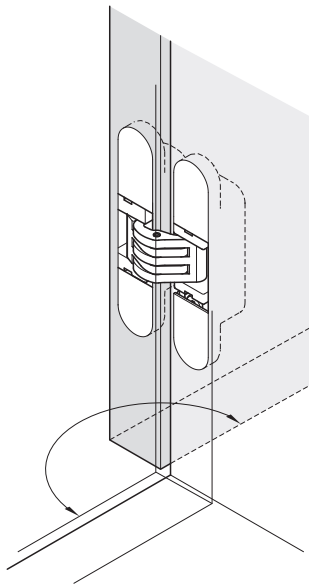


Supplied with

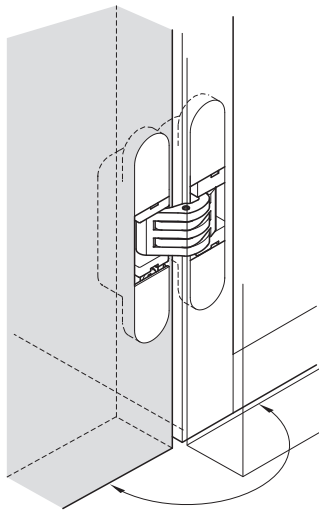
- 1 Hinge, chrome plated matt or black
- 4 Cover caps, grey or black

Finish	Cat. No.
Chrome plated matt	341.24.414
Black	341.24.314

Packing: 1 or 12 pieces



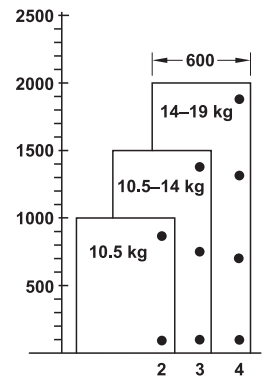
Inset mounting



Overlay mounting

Number of hinges per door

- Sample measurements for 20 mm thick wood
- Hinge distance min. 500 mm
- Door width up to 600 mm
- The door's width must not exceed its height



Concealed hinges

→ Opening angle 100°



For full overlay mounting



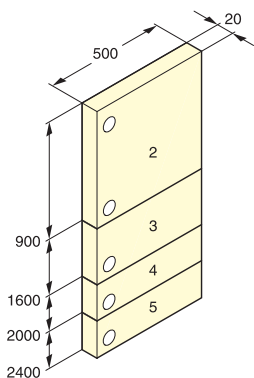
For half overlay mounting/twin mounting



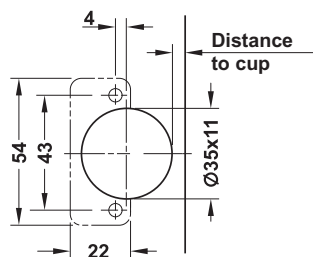
For increased requirements on corrosion resistance in domestic areas

- Material: Stainless steel quality 1.4301 (V2A)
- Finish: Polished
- Installation: Door to cabinet with slide-on system
- Adjusting facility: 3-dimensional (in combination with appropriate mounting plate)
- With automatic closing spring

Required number of hinges



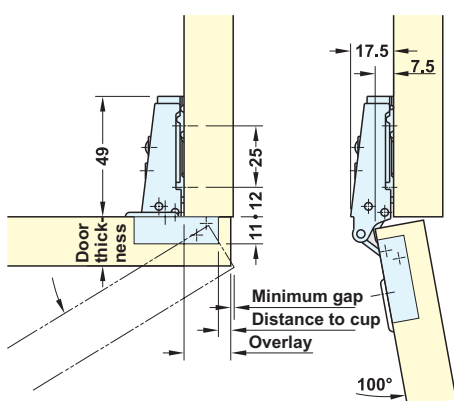
Drilling pattern



Minimum gap

Door thickness mm	Distance to cup mm		
	3	4	5
15	0,5	0,5	0,5
16	0,7	0,7	0,7
17	0,8	0,8	0,8
18	1,0	1,0	1,0
19	1,2	1,2	1,2
20	1,4	1,4	1,4

Full overlay mounting

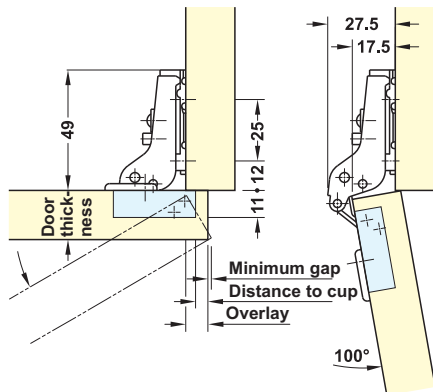


Door overlay mm	17	18	19
Distance to cup mm	3	4	5

Cup fixing	Cat. No.
For screw fixing	327.20.000

Packing: 1 or 40 pieces

Half overlay mounting/twin mounting



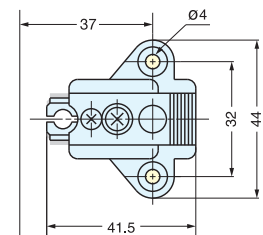
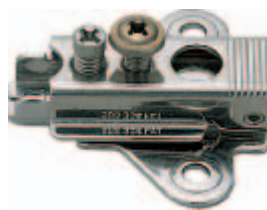
Door overlay mm	7	8	9
Distance to cup mm	3	4	5

Cup fixing	Cat. No.
For screw fixing	327.20.002

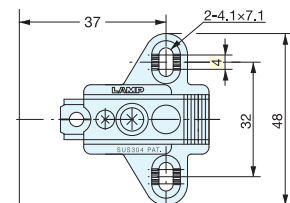
Packing: 1 or 40 pieces

Mounting plates

Without height adjustment



With height adjustment



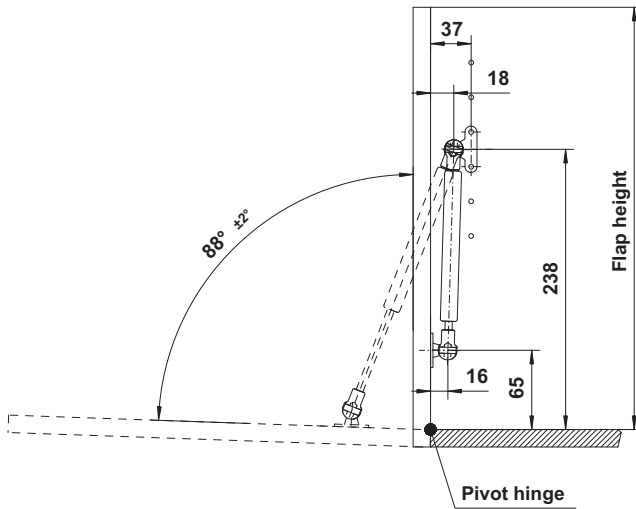
- Material: Stainless steel
- Finish: Polished
- Installation: Door to cabinet with slide-on system
- Adjusting facility: Side adjustment -5 mm, Cat. No. 327.30.030 also with height adjustment via slot ±2 mm

Adjusting facility	Cat. No.
Without height adjustment	327.30.000
With height adjustment	327.30.030

Highlights 2011, HDE-en, 05/11; Dimensional data not binding. We reserve the right to alter specifications without notice.

Gas-filled piston rod

→ Opening angle approx. 90°



- Reliable soft opening action

- Material: Piston rod and screw-on brackets: Steel, cover caps: Plastic
- Finish: Piston rod: Silver grey or black, screw-on brackets: Galvanized
- max. flap weight: 10 kg
- max. flap height: 600 mm

Supplied with

- 1 Gas-filled piston rod, silver grey or black
- 1 Cabinet mounting bracket
- 1 Flap mounting bracket
- 2 Cover caps for cup-shaped recesses, silver grey or black

Weight (kg)	Number of required piston rods	
10	2	2
9	2	2
8	2	2
7	2	2
6	2	2
5	1	2
4	1	2
3	1	2
Flap height	up to 400 mm	up to 600 mm

Colour	Cat. No.
Silver grey	365.01.901
Black	365.01.902

Packing: 1 set

Note:

The given values are sample measurements. Please check function in action in order to consider all influencing factors such as exact centre of gravity, system friction, handles, etc.. Using different hinges may cause deviations as well. Overloading the open flap must be avoided.

Aluminium screw-on bracket for lid

→ For narrow aluminium frames

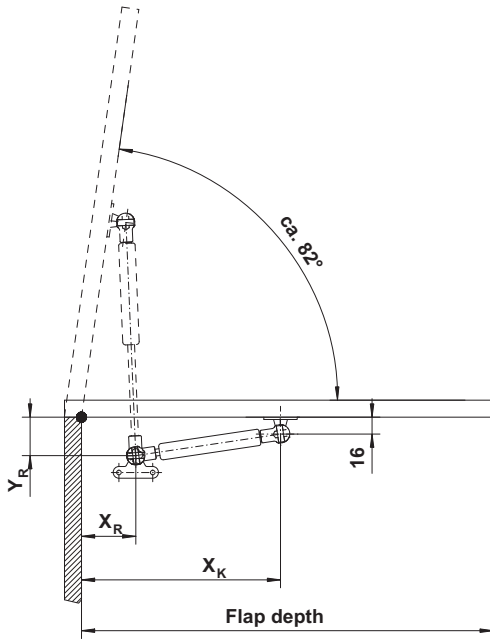


	Cat. No.
Aluminium screw-on bracket for lid	373.78.922

Packing: 1 piece

Gas-filled lid stay

→ Opening angle approx. 82°



Selection table

Weight (kg)			
12			
11			
10			
9			
8			
7			
6			
5			
4			
3			
Flap depth	300 mm	450 mm	600 mm

A

- Lid opens automatically from an opening angle of approx. 10°
- With dynamic soft opening action for particularly harmonious opening movement
- No separate catch required

- Material: Lid stay and screw-on brackets: Steel, cover caps: Plastic
- Finish: Lid stay and cover caps: Silver grey, screw-on brackets: Galvanized
- max. lid weight: 12 kg
- max. lid depth: 600 mm
- For installation in pairs, for protecting hinges and furniture

Supplied with

- 2 Gas-filled lid stays
- 2 Cabinet mounting brackets
- 2 Lid mounting brackets
- 2 Cover caps for cup-shaped recesses

Spring force in N	Length in mm	Lift in mm	Cat. No.
60	230	76	373.78.901
80			373.78.902
100			373.78.903
100	300	110	373.78.904
120			373.78.905
140			373.78.906
125	360	140	373.78.907
150			373.78.908
175			373.78.909

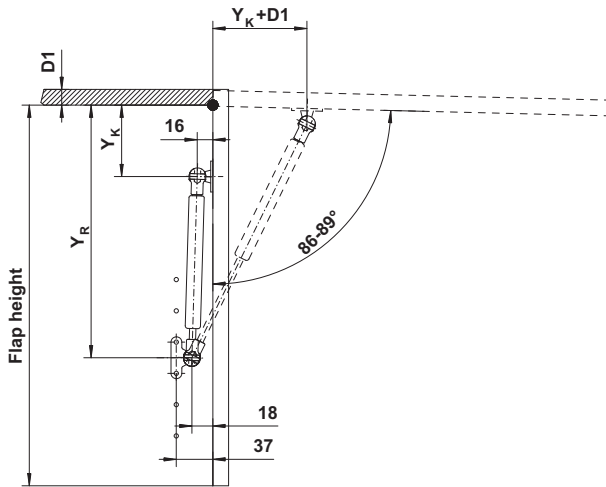
Packing: 1 set

Length in mm	A	B	C	Installation dimensions	
				Cabinet (XR/YR)	Lid (XK)
230	373.78.901	373.78.902	373.78.903	(55/-20)	215
300	373.78.904	373.78.905	373.78.906	(70/-30)	275
360	373.78.907	373.78.908	373.78.909	(95/-45)	320

Packing: 1 set

Gas-filled strut

→ Opening angle approx. 90°



- Material: Strut and screw-on brackets: Steel, cover caps: Plastic
- Finish: Strut and cover caps: Silver grey, screw-on brackets: Galvanized
- max. flap weight: 11 kg
- max. flap height: 600 mm
- For installation in pairs, for protecting hinges and furniture

A

- Lid opens automatically from an opening angle of approx. 10°
- With dynamic soft opening action for particularly harmonious opening movement
- Extremely suitable for fronts without handles
- No separate catch required

Supplied with

- 2 Gas-filled struts
- 2 Cabinet mounting brackets
- 2 Flap mounting brackets for wooden flaps or flaps with aluminium frame
- 2 Cover caps for cup-shaped recesses

Spring force in N	Length in mm	Lift in mm	Cat. No.
60	230	76	373.78.901
80			373.78.902
100			373.78.903
100	300	110	373.78.904
120			373.78.905
140			373.78.906
125	360	140	373.78.907
150			373.78.908
175			373.78.909

Packing: 1 set

Selection table

Weight (kg)	300 mm	350 mm	400 mm	450 mm	500 mm	550 mm	600 mm
11							
10							
9							
8							
7							
6							
5							
4							
3							
2							
Flap height	300 mm	350 mm	400 mm	450 mm	500 mm	550 mm	600 mm

Length in mm	A	B	C	Installation dimensions	
				Cabinet (YR)	Flap (YK)
230	373.78.901	373.78.902	373.78.903	231	86
300	373.78.904	373.78.905	373.78.906	295	114
360	373.78.907	373.78.908	373.78.909	359	138

Note:

This is a sample measurement matrix and refers to the depicted installation situation with concealed hinges. Please check function in action in order to consider all influencing factors such as exact centre of gravity, system friction, handles, etc.. In case of threshold values always use stronger version. Two gas-filled struts must always be used.

Aluminium screw-on bracket for lid

→ For narrow aluminium frames



	Cat. No.
Aluminium screw-on bracket for lid	373.78.922

Packing: 1 piece

Soft closing system for doors



- 3 versions available for maximum closing convenience



- Material: Plastic
- Colour: Grey
- Damping fluid: Silicone oil
- Versions: Light-duty, medium-duty, heavy-duty
- Installation: For inserting in drill hole 10 x 50 mm (Ø x depth) or with adapter housing

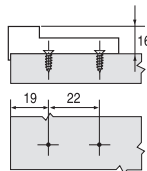
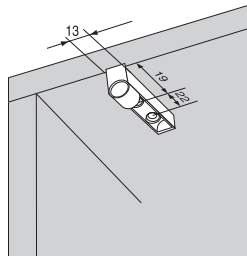
Version	Cat. No.
Light-duty	356.37.000
Medium-duty	356.37.001
Heavy-duty	356.37.002

Packing: 1 or 100 pieces

Adapter housings

- Material: Plastic
- Colour: Grey
- Versions: With or without positioning aid
- Installation: For screw fixing

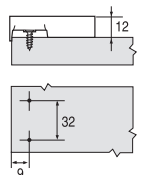
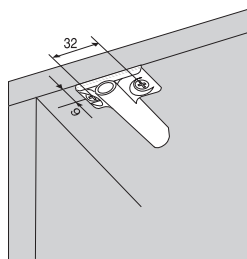
→ Linear adapter housing with positioning aid



	Cat. No.
Linear adapter housing	356.37.010

Packing: 1 or 100 pieces

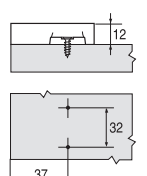
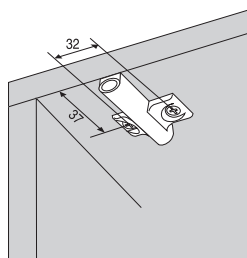
→ Cruciform adapter housing with positioning aid



	Cat. No.
Cruciform adapter housing	356.37.011

Packing: 1 or 100 pieces

→ Cruciform adapter housing for 32 mm series drilled holes



	Cat. No.
Cruciform adapter housing for 32 mm series drilled holes	356.37.012

Packing: 1 or 100 pieces

Metalla SM

→ With integrated soft close, opening angle 105°



Full overlay mounting with mounting plate

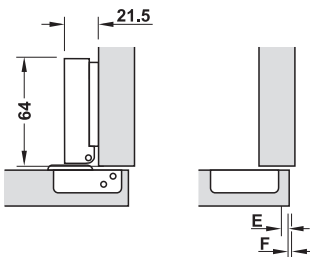
- Material: Steel cup and hinge arm
- Finish: Nickel plated
- Cup fixing: For screw fixing
- Installation: Door to cabinet with SM quick fixing system
- Drilling depth: Hinge cup 12.0 mm
- Adjustment facility: 3-dimensional (with appropriate mounting plate)
- With automatic closing spring
- With integrated soft close

Note

Dimensions and gap specifications in drawings and tables are calculated:

- Using factory settings
- For mounting plate distance 0 mm

Full overlay mounting



- Hinge arm: Straight

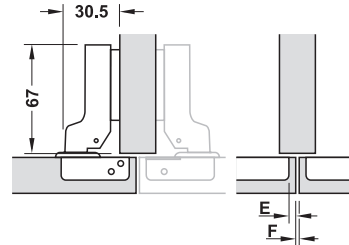
Door overlay mm

	12	13	14	15	16	17	18	19	
					3	4	5	6	0
			3	4	5	6			2
	3	4	5	6					4
Distance to cup E mm	Mounting plate distance mm								

Cup fixing	45/9.5	48/6	52/5.5
For screw fixing	311.60.505	311.60.525	311.60.515

Packing: 200 pieces

Half overlay mounting/twin mounting



- Hinge arm: Cranked

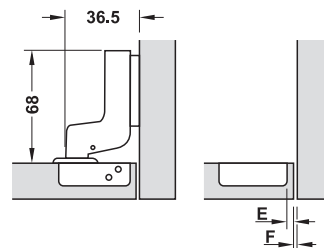
Door overlay mm

	5	6	7	8	9	10	11	12	
					3	4	5	6	0
			3	4	5	6			2
	3	4	5	6					4
Distance to cup E mm	Mounting plate distance mm								

Cup fixing	45/9.5	48/6	52/5.5
For screw fixing	311.60.506	311.60.526	311.60.516

Packing: 200 pieces

Inset mounting



- Hinge arm: High cranked

Door overlay mm

Distance to cup E mm	Mounting plate distance mm								

Cup fixing	45/9.5	48/6	52/5.5
For screw fixing	311.60.507	311.60.527	311.60.517

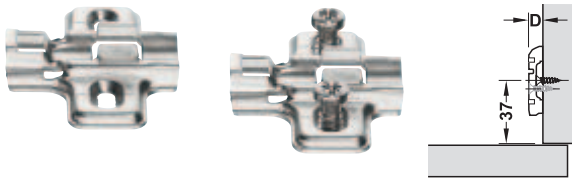
Packing: 200 pieces

Metalla SM Cruciform mounting plates

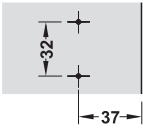
With quick fixing system

- Material: Steel
- Finish: Nickel plated
- Distance from edge: 37 mm

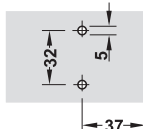
→ For screw fixing with chipboard screws
Height adjustment ±2 mm via slot



With pre-mounted special screws



Drilling pattern



Drilling pattern

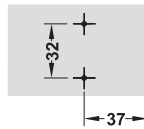
Distance D mm	Screw length mm	Cat. No.
Without pre-mounted special screws		
0	–	311.71.570
2	–	311.71.572
4	–	311.71.574
With pre-mounted special screws		
0	11	311.71.600
2	11	311.71.602
4	11	311.71.604

Packing: 200 pieces

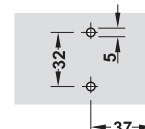
→ For screw fixing with chipboard screws
Height adjustment ±2 mm via eccentric



With pre-mounted special screws



Drilling pattern



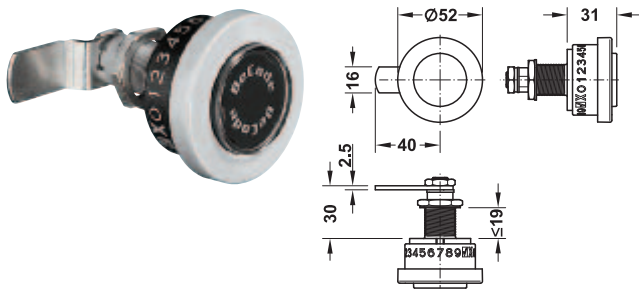
Drilling pattern

Distance D mm	Screw length mm	Cat. No.
Without pre-mounted special screws		
0	–	311.71.540
2	–	311.71.542
4	–	311.71.544
With pre-mounted special screws		
0	11	311.71.560
2	11	311.71.562
4	11	311.71.564

Packing: 200 pieces

Locker lock with number combination

→ **BeCode evo+ Cam lock**

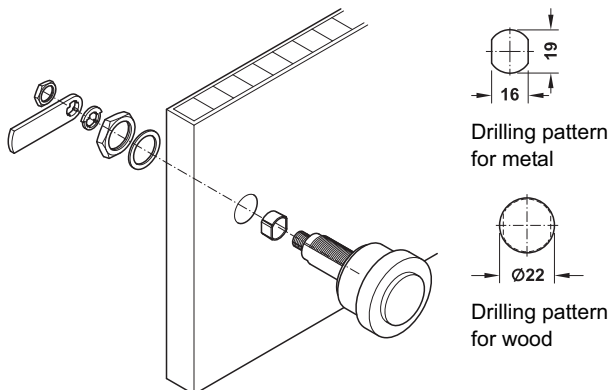


- **Area of application:** For furniture door thickness up to 19 mm
- **Finish:** Collar: Silver coloured, dial: Black (battery lid can be designed as desired)
- **Locking system:** With PIN number, 1,000,000 combinations (free choice)
- **Mounting:** Left and right
- **Functionality:** Programming in Local User Mode (e.g. for staff locker): User selects a 1-6 digit combination which remains until changed

Programming in One Time User Mode (e.g. in sports facilities): User selects a 1-6 digit combination which is cancelled again after re-entry

Other programming options on request, emergency opening via master code possible
- **Installation:** For screw fixing with hexagon nut, metal: hole pattern 19 x 16 mm, wood: 22 mm drill hole for knock-in sleeve

Installation



Supplied with

- 1 BeCode evo+
- 3 Locking cams
- 1 Set of installation and operating instructions

	Cat. No.
BeCode evo+ cam lock	234.37.310

Packing: 1 or 10 pieces

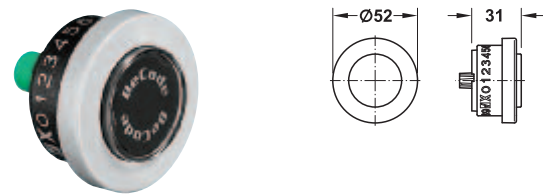
→ **BeCode evo+ easy Cam lock**

- **Version:** Same as BeCode evo+ but without the possibility of changing the operating system
- **Locking system:** Master PIN and user PIN issued randomly
- **Functionality:** Opening with pre-set user PIN, emergency opening via master code possible

	Cat. No.
BeCode evo+ easy cam lock	234.37.311

Packing: 1 piece

→ **BeCode evo Espagnolette/rim lock**

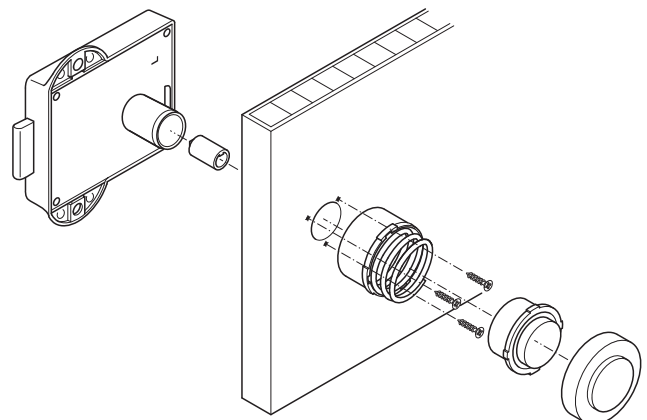


- **Area of application:** For Symo espagnolette and rim locks with cylinder housing length of max. 22 mm, for 19 mm furniture doors
- **Finish:** Collar: Silver coloured, dial: Black (battery lid can be designed as desired)
- **Locking system:** With PIN number, 1,000,000 combinations (free choice)
- **Mounting:** Left and right
- **Functionality:** Programming in Local User Mode (e.g. for staff locker): User selects a 1-6 digit combination which remains until changed

Programming in One Time User Mode (e.g. in sports facilities): User selects a 1-6 digit combination which is cancelled again after re-entry

Other programming options on request, emergency opening via master code possible
- **Installation:** For screw fixing, drilling pattern in accordance with the cylinder housing of the selected lock

Installation



Order one set of tools and drilling template per project

Supplied with

- 1 BeCode evo with 3 fixing screws
- 1 Adapter set
- 1 Set of installation and operating instructions

	Cat. No.
BeCode evo espagnolette or rim lock	234.37.300

Packing: 1 or 10 pieces

→ **BeCode evo easy Espagnolette/rim lock**

- **Version:** Same as BeCode evo but without the possibility of changing the operating system
- **Locking system:** Master PIN and user PIN issued randomly
- **Functionality:** Opening with pre-set user PIN, emergency opening via master code possible

	Cat. No.
BeCode evo easy espagnolette/rim lock	234.37.301

Packing: 1 piece

→ BeCode evo and evo+ Accessories

Set of tools

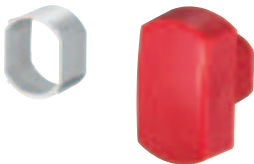


- Area of application: For assembly and disassembly (battery change) of BeCode locks

	Cat. No.
Set of tools	234.37.900

Packing: 1 piece

BeCode evo+ Knock-in sleeve



- Area of application: For inserting into 22 mm drill hole and as anti-twist device for wooden doors, for BeCode evo+ and evo+ easy cam locks
- Material: Sleeve: Aluminium

Supplied with

10 Knock-in sleeves
1 Knock-in tool

	Cat. No.
Knock-in sleeve set	234.37.902

Packing: 1 set

Drilling jig

- Area of application: For BeCode evo
- Material: Plastic
- Finish: Grey

	Cat. No.
Drilling jig	234.37.903

Packing: 1 piece

CR 2540 Replacement battery

	Cat. No.
CR 2540 replacement battery	002.99.033

Packing: 1 piece

Software

- Area of application: Software for designing stickers

Supplied with

1 CD with software and templates
350 Stickers

	Cat. No.
Software and stickers	234.37.910

Packing: 1 set

Sticker

- Area of application: For individual design of the battery lid

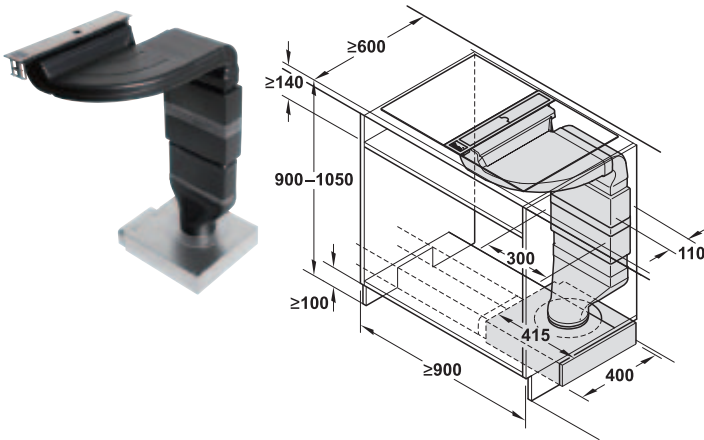
	Cat. No.
Sticker	234.37.911

Packing: 1 set

Hob extractor with hobs



→ **Hob extractor**



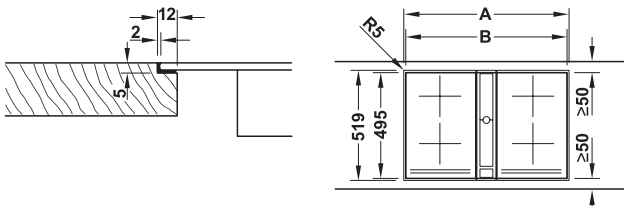
- **Material:** Visible parts made from brushed stainless steel
- **Extraction rate:** 200 – 400 m³/h
- **Nominal voltage:** 220 – 240 V/50 Hz
- **Version:** For recirculation installation, 3-stage touch operation for power control, integrated motor in plinth area, stainless steel grease filter, automatic coasting and shut-off, two-piece cover 515/90 mm, integrated flat ducted sound absorber, connecting cable with safety plug, installation and operating instructions

	Packing	Cat. No.
Hob extractor	1 piece	537.81.900
Soundproofing mat for motor	1 set	537.81.998

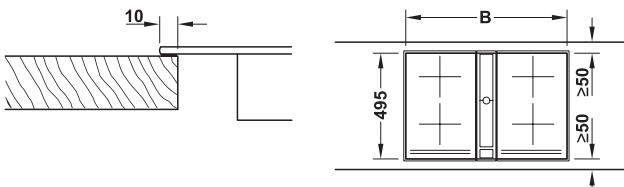
Note

The hob extractor can only be combined with hobs from the same range.

Flush mounted



Surface mounted



	Hob	Hob extractor	Dim. A mm	Dim. B mm
	2	1	778	754
	3	2	1212	1188

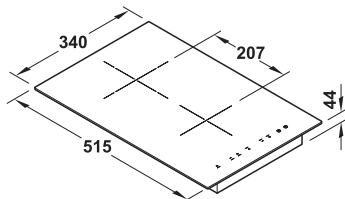
	Hob	Hob extractor	Dim. A mm	Dim. B mm
	2	1	778	754
	3	2	1212	1188

→ Hobs

Note

The hobs that are shown can be freely combined with the hob extractor.

Ceramic glass hob with 2 heating zones, 1-circle/2-circle

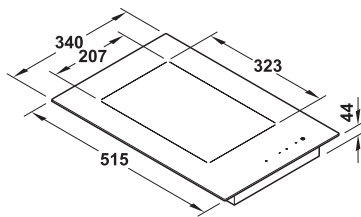


- Version: 9 heating modes, automatic shut-off, automatic parboil function, child protection, residual heat indicator, timer function, warming plate function
- Connection voltage: 220 – 240 V

	Cat. No.
1x1-circle zone at front, Ø 150 mm, 1.2 kW, 1x2-circle zone at rear, Ø 120/190 mm, 1.7 kW	537.01.500

Packing: 1 piece

Ceramic glass hob with roaster zone

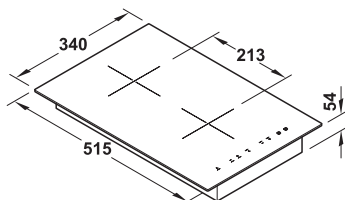


- Version: 9 heating modes, automatic shut-off, automatic parboil function, child protection, residual heat indicator, timer function, warming plate function, stop function
- Connection voltage: 220 – 240 V

	Cat. No.
323 x 207 mm heating zone, 1.4 kW	537.01.510

Packing: 1 piece

Induction hob with 2 heating zones 1-circle

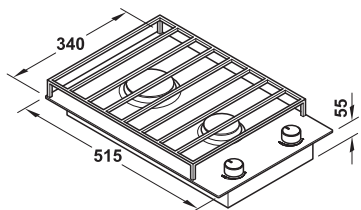


- Version: 9 heating modes, automatic shut-off, automatic parboil function, child protection, power settings, residual heat indicator, timer function, warming plate function, stop function, pan recognition
- Connection voltage: 220 – 240 V

	Cat. No.
1x1-circle zone at front, Ø 195 mm, 1.85 kW, 1x1-circle zone at rear, Ø 195 mm, 1.85 kW	537.01.520

Packing: 1 piece

Gas hob with 2 heating zones

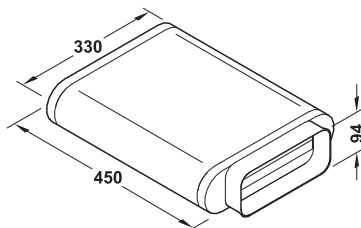


- Version: 2-flame gas hob with large and small burner, infinitely variable burner control, knob switch with child protection, removable cast iron pan support
- Connection voltage: 220 – 240 V

	Cat. No.
Normal burner at front, up to 1.0 kW, large burner at rear, up to 2.8 kW	537.01.530

Packing: 1 piece

Recirculation unit for recirculation installation

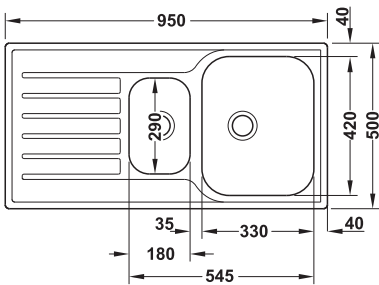


- Version: Activated carbon foam with pre-filter material for long service life
- Installation: Versatile installation options due to variable pipe spigot and compact dimensions

	Cat. No.
Recirculation unit for recirculation installation	537.81.999

Packing: 1 piece

Blancolantos 6 S



- For cabinet width: min. 600 mm
- Material: Stainless steel
- Finish: Brushed
- Installation height: With waste kit 300 mm
- Cut-out: 932 x 482 mm (L x W)
- Version: Basket strainer waste as 3½" eccentric valve

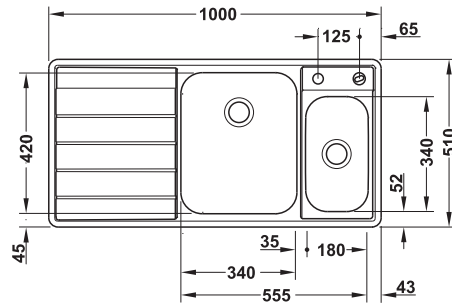
Supplied with

- 1 Sink
- 1 Half bowl
- 1 Drain connection

Version	Cat. No.
Drainer format left or right	565.65.420

Packing: 1 set

Blancoaxis II 6 S-IF



- For cabinet width: min. 600 mm
- Material: Stainless steel
- Finish: Silk gloss
- Installation height: With waste kit 320 mm
- Cut-out: 979 x 489 mm (L x W)
- Installation: Flush or surface mounted
- Version: Basket strainer waste as 3½" eccentric valve

Supplied with

- 1 Sink
- 1 Half bowl
- 1 Chopping board
- 1 Drain connection

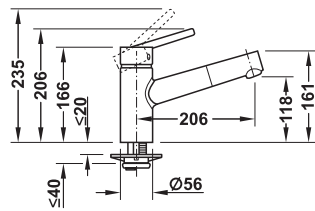
Version	Cat. No.
Drainer format right	565.65.511
Drainer format left	565.65.512

Packing: 1 set

Note

Other Blanco sinks can be found in the Blanco sales manual, Cat. No. 732.02.512.

Blancoatos-S Single lever tap



- Material: Steel, seals: Ceramic
- Version: Flexible connecting hoses: 450 mm, drill hole \varnothing tap: 35 mm, for high pressure (HP), with pull-out hand spray
- Swivelling range: 140°

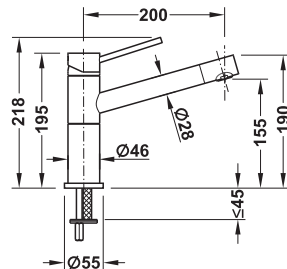
Finish/colour	Cat. No.
Chrome plated	565.74.240

Packing: 1 piece

Note

Blancoatos-S should not be combined with Blanco ceramic sinks. The spout cannot be swivelled if additional sealing material is used.

Blancoalta Compact Single lever tap

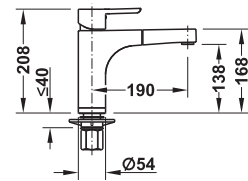


- Material: Steel, seals: Ceramic
- Version: Flexible connecting hoses: 450 mm, drill hole \varnothing tap: 35 mm, with reinforcing plate for installation in stainless steel sinks, for high pressure (HP)
- Swivelling range: 360°

Finish/colour	Cat. No.
Chrome plated	569.01.200

Packing: 1 piece

Blancopylos Single lever tap

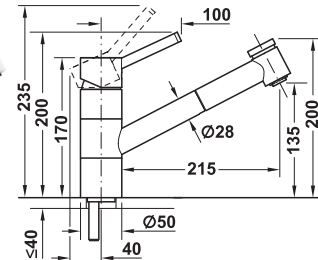


- Material: Steel, seals: Ceramic
- Version: Flexible connecting hoses: 450 mm, drill hole \varnothing tap: 35 mm, with reinforcing plate for installation in stainless steel sinks, for high pressure (HP)
- Swivelling range: 100°

Finish/colour	Cat. No.
Chrome plated	565.68.281
Stainless steel effect	565.68.091

Packing: 1 piece

Blancotivo-S Single lever tap



- Material: Steel, seals: Ceramic
- Version: Flexible connecting hoses: 450 mm, drill hole \varnothing tap: 35 mm, for high pressure (HP), with pull-out hand spray
- Swivelling range: 120°

Finish/colour	Cat. No.
Chrome plated	569.02.210

Packing: 1 piece

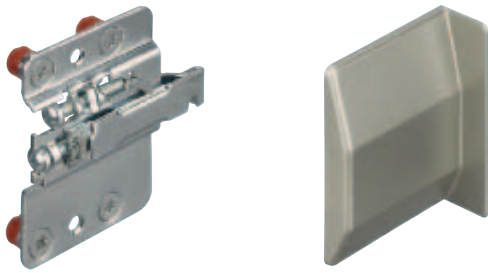
Note

Other Blanco sinks can be found in the Blanco sales manual, Cat. No. 732.02.512.

Cabinet hanger for base unit

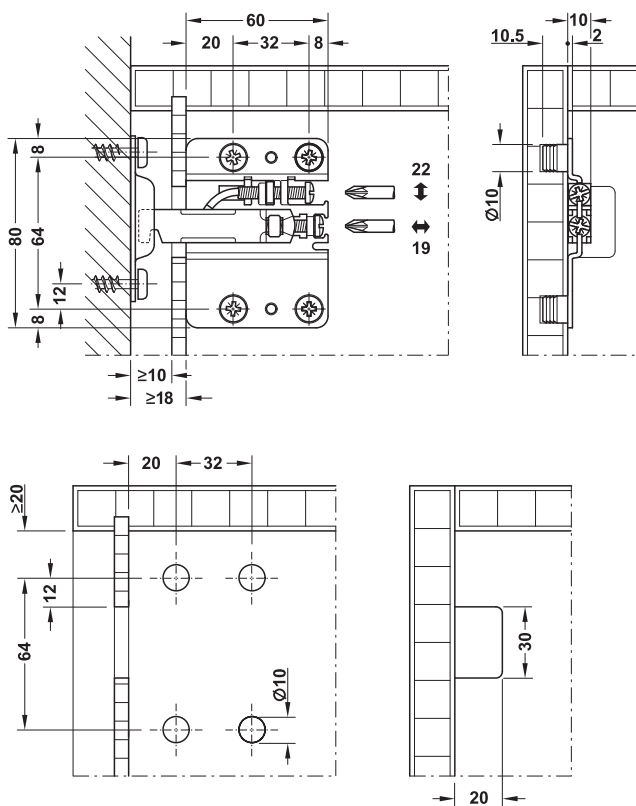
For press fitting, with 4 dowels

Load bearing capacity 240 kg/pair



Cabinet hanger for base unit left

Cover cap right



- Material: Cabinet hanger for base unit: Steel, cover cap: Plastic
- Adjustment facility: Vertical: 22 mm, horizontal: 19 mm

Finish/colour	Mounting left	Mounting right
Cabinet hanger for base unit		
Galvanized	290.40.902	290.40.901
Cover cap		
White	290.40.702	290.40.701
Nickel coloured	290.40.602	290.40.601

Packing: 1 or 20 pieces

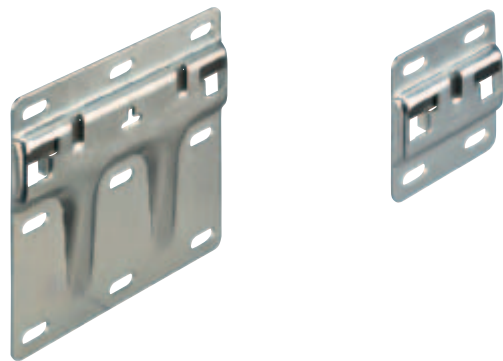
Mounting tool

Area of application	Cat. No.
For press fitting the cabinet hanger into side panel	290.40.999

Packing: 1 piece

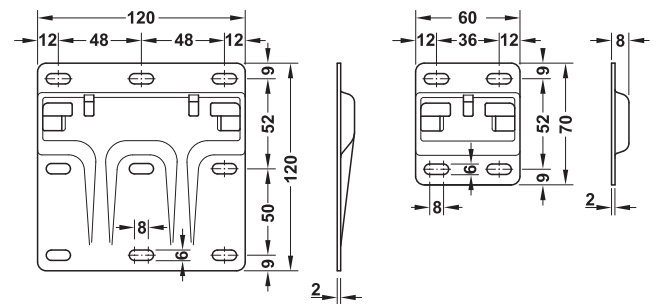
Support plate with hook-off protection device

For cabinet hangers for base unit

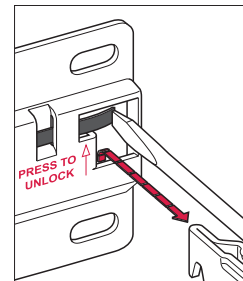


Length 120 mm

Length 60 mm



Installation



Hook-off protection device prevents unintentional unhooking of the wall unit.

- Material: Steel
- Finish: Galvanized

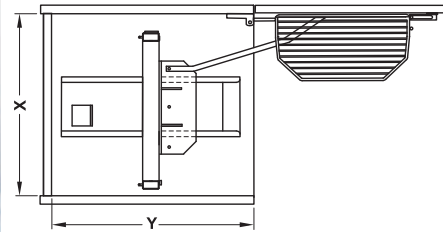
Length mm	Cat. No.
60	290.40.990
120	290.40.991

Packing: 1 or 20 pieces



Larder unit internal extension set with door shelf and hanging baskets

Installation behind hinged doors



Dim. Y = min. 500 mm internal cabinet depth, dim. X = internal cabinet width

- Material: Extension frame, door shelf and hanging baskets: Steel, shelves: Chipboard
- Finish: Extension frame: Plastic coated, door shelf and hanging baskets: Chrome plated, shelves: With non-slip effect
- Colour: Extension frame: White aluminium, RAL 9006
- Load bearing capacity: For cabinet width 450/500 mm: 50 kg extension shelf, 20 kg door shelf, for cabinet width 600 mm: 60 kg extension shelf, 25 kg door shelf
- Version: With integrated soft closing mechanism
- Internal cabinet width: Cabinet width – 38 mm
- Internal cabinet depth: min. 500 mm
- Mounting: For left and right hand use

Supplied with

- 1 Extension frame
- 1 Door shelf
- 1 Basket set:
- 6 Baskets/shelves with 1700 mm,
- 4 Baskets/shelves with 1100 mm,
- 3 Baskets/shelves with 800 mm
- 1 Set of installation instructions



Cabinet width mm	Internal installation height mm	Wire basket	Classic	Style
450	1700	545.94.201	545.94.211	–
500	1700	545.94.203	545.94.213	–
600	800	545.94.208	545.94.218	545.94.318
	1100	545.94.204	545.94.214	545.94.314
	1700	545.94.207	545.94.217	545.94.317

Packing: 1 piece

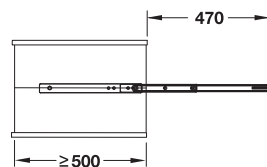
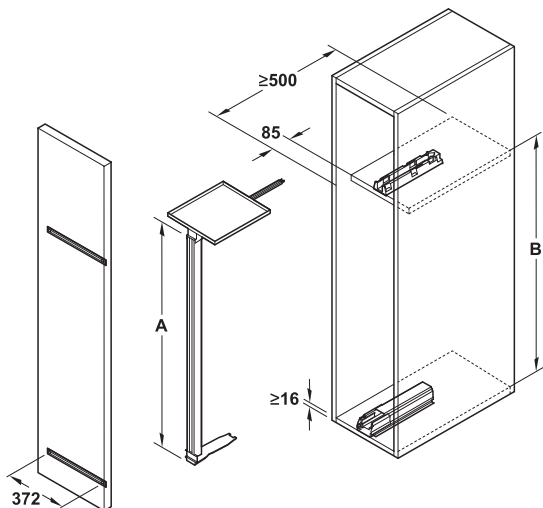
Larder unit front extension

Full extension with soft extension and closing mechanisms



- Material: Hanging profile, front brackets, extension fitting and railing: Steel, shelf: Chipboard
- Finish: Hanging profile and front brackets: Plastic coated white aluminium, RAL 9006, extension fitting: Aluminium coloured, shelf: White
- For cabinet width: 450 mm
- Load bearing capacity: 100 kg load
- Type of pull-out: Full extension
- Version: Shelves with height extension panels and non-slip effect, top shelf conceals the runner, further shelves continuously height adjustable
- Internal cabinet depth: ≥ 500 mm
- Side panel thickness: 16 or 19 mm

→ **Extension fitting with top shelf**



Supplied with

- 1 Hanging profile with front fixing
- 1 Extension fitting
- 1 Top runner with shelf with height extension panels made of glass
- 1 Set of front brackets (top and bottom)

Internal cabinet height mm	Dim. A mm	Dim. B mm	Cat. No.
1100 – 1200	730	767	545.81.914
1900 – 2000	1530	1567	545.81.984
2100 – 2200	1730	1767	545.81.994

Packing: 1 set

→ **Hook-in shelf with height extension panels**



- Material: Shelf: Chipboard, height extension panels: Glass
- Finish: Shelf: White
- For cabinet width: 450 mm
- Version: With non-slip effect, continuously height adjustable

Dim. (W x D x H) mm	Cat. No.
400 x 470 x 90	545.80.214

Packing: 1 piece

→ **Front stabiliser for frame doors**

- Material: Steel
- Finish: Plastic coated, white aluminium, RAL 9006

For cabinet width mm	Cat. No.
450	545.80.980

Packing: 1 piece

Dometic Minicool DS Refrigerator

- Material: Plastic housing
- Version: With automatic defrost, interior LED lighting, built-in version: Without bottom frame, decorative panel and housing cladding
- Nominal voltage: 230 V, 50 Hz
- Mounting: Right, conversion to left possible



Refrigerators are suitable for storing food, e.g. in the office, in students' hostels or in retirement homes.



Built-in version with fixed follower hinge

→ DS 200/Bi, 23 litres gross capacity



- Dimensions: Decorative panel: 383 x 310 x 1 – 2.5 mm (W x H x T)
- Energy consumption: 0.74 kWh/24 h
- Wattage: 65 W
- Weight: 14 kg

Version	Dim. (W x D x H) mm	Colour	Cat. No.
Free standing	422 x 393 x 495	White	568.07.720
	422 x 393 x 495	Black	568.07.420
Built-in version	422 x 383 x 455	–	568.07.325

Packing: 1 piece

→ DS 300/Bi, 28 litres gross capacity



- Dimensions: Decorative panel: 383 x 395 x 1 – 2.5 mm (W x H x T)
- Energy consumption: 0.76 kWh/24 h
- Wattage: 65 W
- Weight: 16 kg

Version	Dim. (W x D x H) mm	Colour	Cat. No.
Free-standing	422 x 393 x 580	White	568.07.730
	422 x 393 x 580	Black	568.07.430
Built-in version	422 x 383 x 540	–	568.07.335

Packing: 1 piece

→ DS 400/Bi, 37 litres gross capacity



- Dimensions: Decorative panel: 383 x 395 x 1 – 2.5 mm (W x H x T)
- Version: Door inner side with 2 tiers and bottle retainers for miniature bottles and up to 1.5 l bottles
- Energy consumption: 0.8 kWh/24 h
- Wattage: 65 W
- Weight: 17 kg

Version	Dim. (W x D x H) mm	Colour	Cat. No.
Free standing	422 x 450 x 580	White	568.07.740
	422 x 450 x 580	Black	568.07.440
Built-in version	422 x 440 x 540	–	568.07.345

Packing: 1 piece

→ **DS 600/Bi, 53 litres gross capacity**



- Dimensions: Decorative panel: 447 x 407 x 1 – 2.5 mm (W x H x T)
- Version: Door inner side with 2 tiers and bottle retainers for miniature bottles and up to 1.5 l bottles
- Energy consumption: 0.88 kWh/24 h
- Wattage: 85 W
- Weight: 18 kg

Version	Dim. (W x D x H) mm	Colour	Cat. No.
Free standing	486 x 494 x 592	White	568.07.760
		Black	568.07.460
Built-in version	486 x 484 x 552	–	568.07.365

Packing: 1 piece

Dometic Minicool WA Refrigerator

→ **WA 3200, 59 litres gross capacity, with freezer compartment**



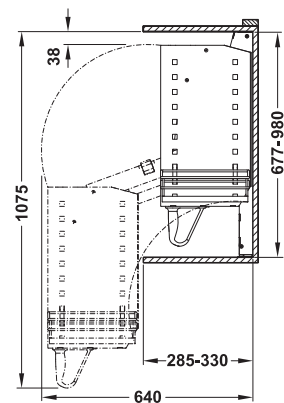
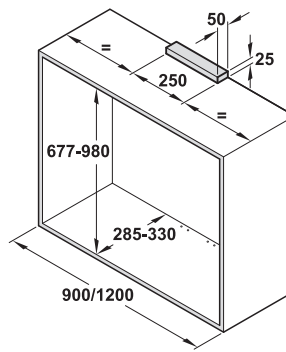
With 2 star freezer compartment for storing frozen food

- Material: Metal housing
- Dimensions: External dimensions 486 x 496 x 592 mm (W x D x H), decorative panel 456 x 526 x 2 mm (W x H x T)
- Version: Door inner side with 2 tiers and bottle retainers (for miniature bottles and up to 1.5 l bottles), 5 litre freezer compartment, with automatic defrost, interior lighting, lowerable feet, changeable decorative panel
- Energy consumption: 1.4 kWh/24 h
- Nominal voltage: 230 V, 50 Hz
- Wattage: 95 W
- Weight: 23 kg
- Mounting: For right or left hand use

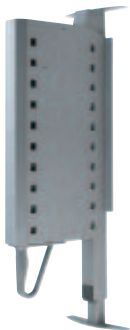
Colour	Cat. No.
White	568.11.581

Packing: 1 piece

Lift fitting for wall units



→ **Lift fitting**
With self closing mechanism

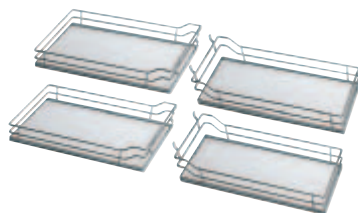


- Material: Steel
- Finish: Silver coloured, plastic coated
- Dim. (W x D x H): 60 x 280 x 680 – 980 mm
- Adjustment facility: Individual power adjustment for different loads with adjusting wheel
- Installation: For screw fixing

Load bearing capacity kg	Cat. No.
0 – 12	504.61.900
10 – 20	504.61.910

Packing: 1 piece

→ **Hook-in shelves**
With non-slip effect



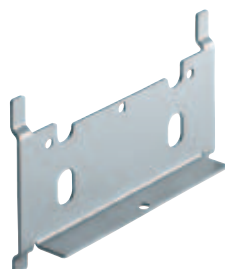
- Material: Railing: Steel, shelf: Chipboard
- Finish/colour: Railing: Chrome plated, shelf: White
- Dim. (D x H): 280 x 90 mm

Supplied with
4 Hook-in shelves

	For cabinet width mm	Width mm	Classic
	900	862	504.61.721
	1200	1162	504.61.723

Packing: 1 set

→ **Support**
For self-manufactured hook-in shelves and wooden boxes



- Material: Steel
- Colour: Silver coloured
- Height: Wooden box: ≤105 mm

Supplied with
4 Supports

Dim. (W x D x H) mm	Cat. No.
31 x 194 x 118	504.61.991

Packing: 1 set

Basic system

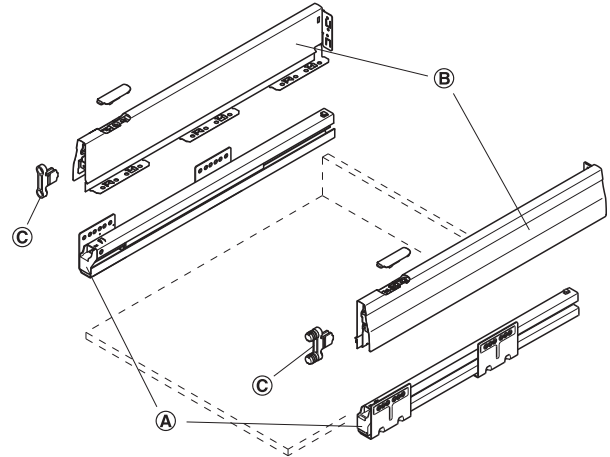
Drawer side height 92 and 115 mm

smusO
...soft & silent



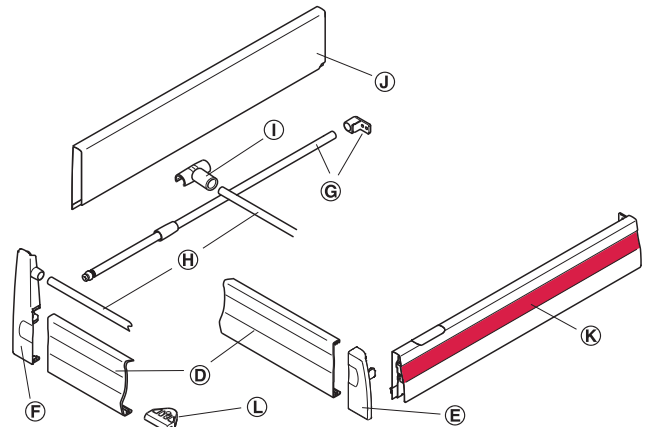
- Load bearing capacity: 30 kg or 50 kg (dynamic load)
- Material: Steel
- Front fixing: For screw fixing or press fitting
- Adjustment facility: Height and side adjustment from above

Basic system



- Ⓐ Moove cabinet rail
- Ⓑ Moovit chassis drawer sides with cover caps
- Ⓒ Moovit fix front fixing brackets

Add-on system



- Ⓓ Panel for internal drawer box with or without railing
- Ⓔ Holder for internal drawer box without railing
- Ⓕ Holder for internal drawer box with railing
- Moovit equipment railing
- Ⓖ Side rail
- Ⓗ Cross rail
- Ⓘ Cross rail holder
- Ⓝ Moovit panel height extension panel
- Ⓚ Moovit design decorative strips
- Ⓛ Stabilising plate for panel

Cross rail length calculation

When using cross rail holder Ⓡ

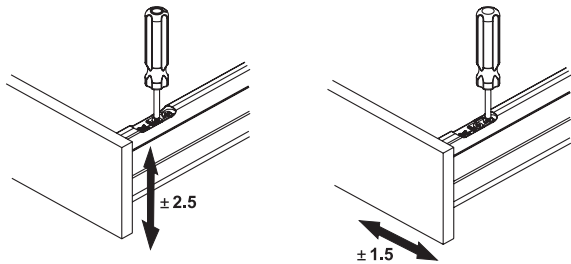
Cross rail length Ⓡ = internal drawer width – 66 mm

When using holder for internal drawer box with railing Ⓕ

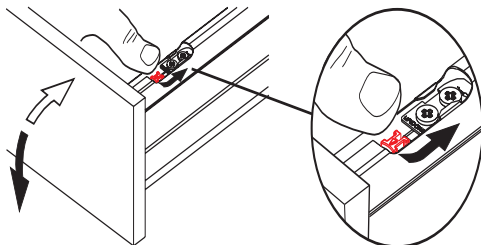
Cross rail length Ⓡ = internal drawer width – 76 mm

A

Convenient height and side adjustment from above after installation of drawer.



No tools required for mounting and removing the panel.



Drawer size calculation

Internal space dimensions

Internal drawer width, e.g.:

External cabinet width 600 mm
 – (2 x side panel thickness) – (2 x 19 mm = 38 mm)
 – (2 x installation dimension) – (2 x 31 mm = 62 mm)
 = internal drawer width = 500 mm

External cabinet width mm	300	400	500	600	800
Side panel thickness mm	Internal drawer width mm				
16	206	306	406	506	706
19	200	300	400	500	700

Internal drawer depth, e.g.:

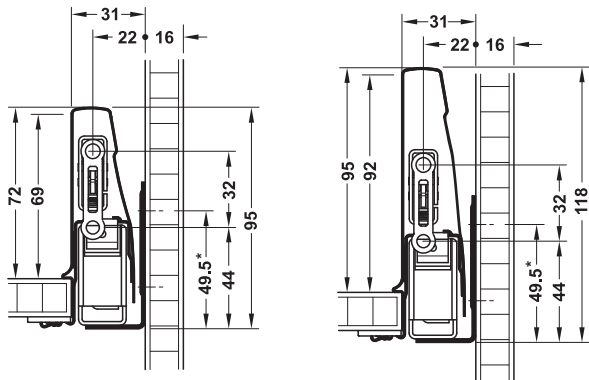
Nominal length cabinet rail 500 mm
 – installation dimension – 3 mm
 – rear panel thickness – 16 mm
 = internal drawer depth = 481 mm

→ Moovit Set (A) + (B)

smusO...soft & silent



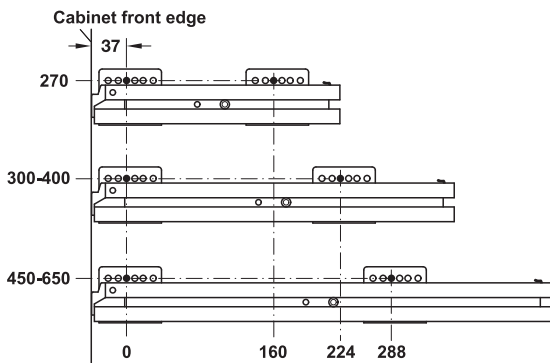
Installation



Drawer side height 92 mm

Drawer side height 115 mm

* 2. Bracket: 50.5 mm



Please use third screw hole.

Calculation

Base dimensions:

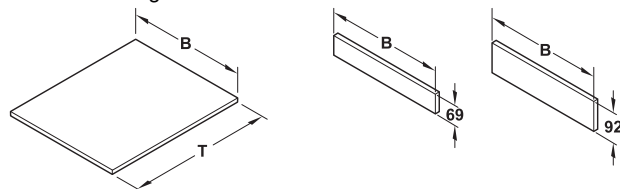
Rear panel for drawer side height:

B = internal cabinet width – 62 mm

92 mm

115 mm

T = nominal length – 3 mm



- Version: Full extension, with integrated Smuso soft closing and self closing mechanisms, with integrated rear panel fitting, with progressive roller (50 kg)
- Material: Steel
- Finish: Drawer sides: Powder coated, cabinet rail: Galvanized

Supplied with

Each set:

- 1 Left and 1 right Moovit chassis drawer side with rear panel fitting
- 1 Left and 1 right Moove cabinet rail
- 1 Left and 1 right cover cap with Häfele logo

Drawer side height 92 mm, 30 kg



Nominal length mm	Packing sets	Silver grey
Packed in boxes		
270	1 or 6	553.56.940
300	1 or 6	553.56.941
350	1 or 6	553.56.942
400	1 or 6	553.56.943
450	1 or 6	553.56.944
500	1 or 6	553.56.945
550	1 or 6	553.56.946
600	1 or 6	553.56.947
650	1 or 6	553.56.948

Nominal length mm	Packing sets	Silver grey
Packed on pallets		
270	384	553.56.950
300	336	553.56.951
350	300	553.56.952
400	228	553.56.953
450	216	553.56.954
500	204	553.56.955
550	192	553.56.956
600	156	553.56.957
650	156	553.56.958

Drawer side height 92 mm, 50 kg



Nominal length mm	Packing sets	Metallic white	Metallic grey	Champagne coloured
Packed in boxes				
270	1 or 6	553.56.700	553.56.200	553.56.800
300	1 or 6	553.56.701	553.56.201	553.56.801
350	1 or 6	553.56.702	553.56.202	553.56.802
400	1 or 6	553.56.703	553.56.203	553.56.803
450	1 or 6	553.56.704	553.56.204	553.56.804
500	1 or 6	553.56.705	553.56.205	553.56.805
550	1 or 6	553.56.706	553.56.206	553.56.806
600	1 or 6	553.56.707	553.56.207	553.56.807
650	1 or 6	553.56.708	553.56.208	553.56.808

Nominal length mm	Packing sets	Metallic white	Metallic grey	Champagne coloured
Packed on pallets				
270	384	553.56.710	553.56.210	553.56.810
300	336	553.56.711	553.56.211	553.56.811
350	300	553.56.712	553.56.212	553.56.812
400	228	553.56.713	553.56.213	553.56.813
450	216	553.56.714	553.56.214	553.56.814
500	204	553.56.715	553.56.215	553.56.815
550	192	553.56.716	553.56.216	553.56.816
600	156	553.56.717	553.56.217	553.56.817
650	156	553.56.718	553.56.218	553.56.818

Order reference

Individual design possible with Moovit design decorative strips.

Add-on system

→ Panel for internal drawer box with or without railing



Panel for internal drawer box with or without railing [Ⓓ]



- Area of application: Panel for internal drawer box with or without railing
- Material: Aluminium
- Installation: Holders for screw fixing to the panel, panel is clipped onto the drawer sides using panel holders (with 16 mm side panels)
- Version: For cabinet dimensions 600, 900, 1,200 mm and for cutting to size
- Height: 95 mm

For cabinet width mm	L mm	Metallic white	Metallic grey	Champagne coloured	Silver grey
600	488	553.61.711	553.61.211	553.61.811	553.61.911
900	788	553.61.715	553.61.215	553.61.815	553.61.915
1200	1088	553.61.719	553.61.219	553.61.819	553.61.919

Packing: 1 piece

Order reference

Please order metallic grey holders for silver grey front panel.

Holder for internal drawer box without railing [Ⓔ]



- Area of application: Panel holder for internal drawer box without railing, connects the drawer sides with the panel
- Material: Plastic
- Installation: Panel is clipped onto the drawer sides
- Height: 97 mm

Colour	Cat. No.
Metallic white	553.61.792
Metallic grey	553.61.292
Champagne coloured	553.61.892

Packing: 1 pair

Holder for internal drawer box with railing [Ⓕ]



- Area of application: Panel holder for internal box with railing, connects the drawer sides with the panel and railing
- Material: Plastic
- Installation: Panel is clipped onto the drawer sides, the railing is inserted into the holder
- Height: 185 mm

Colour	Cat. No.
Metallic white	553.61.791
Metallic grey	553.61.291
Champagne coloured	553.61.891

Packing: 1 pair

Order reference

Please order Moovit equipment side rail set [Ⓒ] and cross rail [Ⓗ] separately.

Please order fixing screws Cat. No. 015.71.633 separately.

→ Moovit equipment Railing

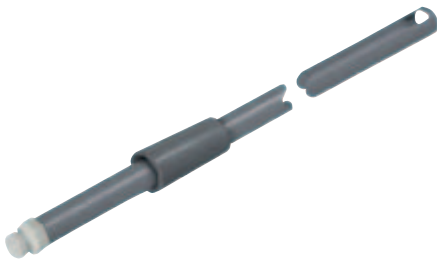


A

- Colour of railing matches the drawer sides
- Tilting angle of front adjustable by rotating the rail ± 2 mm

Side rail set (G)

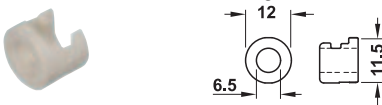
Rail with connection facility



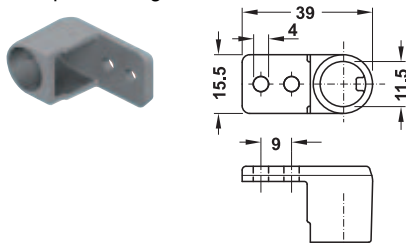
Front bracket for press fitting



Front bracket for screw fixing



Rear panel fitting



- Material: Railing: Steel, holder: Plastic
- Finish: Coated
- Diameter: 11 mm

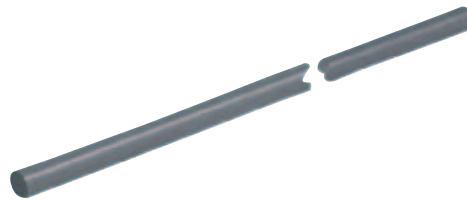
Supplied with

- 2 Rails
- 4 Front brackets (2 for press fitting and 2 for screw fixing)
- 2 Rear panel fittings

Nominal length mm	Metallic white	Metallic grey	Champagne coloured	Silver grey
270	553.59.700	553.59.200	553.59.800	553.59.900
300	553.59.701	553.59.201	553.59.801	553.59.901
350	553.59.702	553.59.202	553.59.802	553.59.902
400	553.59.703	553.59.203	553.59.803	553.59.903
450	553.59.704	553.59.204	553.59.804	553.59.904
500	553.59.705	553.59.205	553.59.805	553.59.905
550	553.59.706	553.59.206	553.59.806	553.59.906
600	553.59.707	553.59.207	553.59.807	553.59.907
650	553.59.708	553.59.208	553.59.808	553.59.908

Packing: 1 or 24 pairs

Cross rail (H)



- Material: Steel
- Nominal length: 1,200 mm
- Diameter: 11 mm

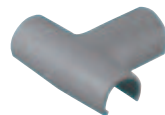
Colour	Cat. No.
Metallic white	553.59.734
Metallic grey	553.59.234
Champagne coloured	553.59.834
Silver grey	553.59.934

Packing: 1 or 50 pieces

Order reference

Please order metallic grey cross rail holders for silver grey cross rail.

Cross rail holder (I)



- Material: Plastic

Colour	Cat. No.
Metallic white	553.59.739
Metallic grey	553.59.239
Champagne coloured	553.59.839

Packing: 1 or 100 pieces

→ Moovit panel Height extension panel (J)

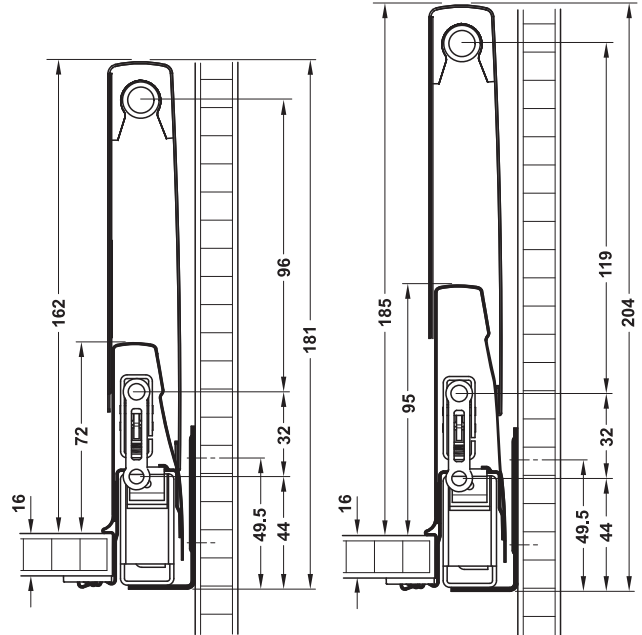


- Prerequisite: Drawer with railing (without cross rail)
- Tall kitchen items cannot fall out or fall over due to the enclosed height extension panels
- Matches the colour of the drawer sides



- Area of application: For increasing the height of the enclosed internal space of the drawer
- Material: Steel
- Finish: Coated
- Installation: For clip-fixing to railing and drawer sides

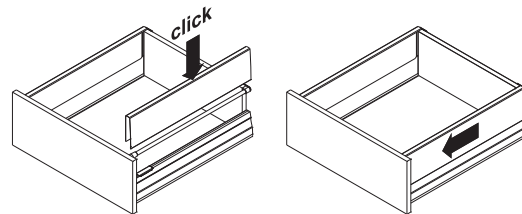
Installation



Drawer side height 92 mm

Drawer side height 115 mm

Attaching the Moovit panels increases the height by 90 mm.



Note

Mount the side rails precisely according to the installation drawing when using individual wooden panels.

Nominal length mm	Metallic white	Metallic grey	Champagne coloured	Silver grey
270	553.60.700	553.60.200	553.60.800	553.60.900
300	553.60.701	553.60.201	553.60.801	553.60.901
350	553.60.702	553.60.202	553.60.802	553.60.902
400	553.60.703	553.60.203	553.60.803	553.60.903
450	553.60.704	553.60.204	553.60.804	553.60.904
500	553.60.705	553.60.205	553.60.805	553.60.905
550	553.60.706	553.60.206	553.60.806	553.60.906
600	553.60.707	553.60.207	553.60.807	553.60.907
650	553.60.708	553.60.208	553.60.808	553.60.908

Complete drawer and extension
→ With Moovit drawer side runner system



- For cabinet width: 300 – 1,200 mm
- Area of application: For side panel thickness 19 mm
- Load bearing capacity: 50 kg/pair
- Material: Drawer sides: Steel, base and rear panel: Wood
- Colour: Drawer sides: Metallic grey, base and rear panel: Egger F 509 St 2 aluminium
- Type of closing: With self closing and soft closing mechanisms
- Version: Drawer and extension with 3 sides pre-assembled, internal drawer box with and without railing with 4 sides pre-assembled, base thickness 16 mm
- Front fixing: For screw fixing
- Nominal length: Runners 500 mm

Note

4 special versions of complete sets available on request with short delivery time.

	Cat. No.
Moovit drawer	554.03.850
Moovit internal drawer box without railing	554.03.851
Moovit extension	554.04.850
Moovit internal drawer box with railing	554.04.851

Packing: 1 piece

Order reference

For the above mentioned special versions **also specify additionally to Cat. No.:**

Drawer side height, nominal length, internal installation width, finish, front fixing method and required number of complete sets.

Drawer

Drawer side height 92 mm

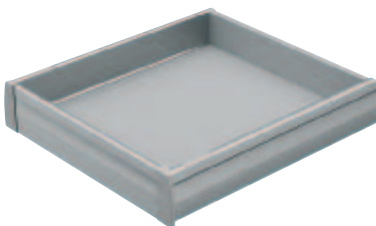


For cabinet width mm	Cat. No.
300	554.03.121
400	554.03.123
450	554.03.124
500	554.03.125
600	554.03.127
800	554.03.128
900	554.03.129
1200	554.03.132

Packing: 1 piece

Internal drawer box without railing

Drawer side height 92 mm, with aluminium panel (colour matched)



For cabinet width mm	Cat. No.
300	554.03.161
400	554.03.163
450	554.03.164
500	554.03.165
600	554.03.167
800	554.03.168
900	554.03.169
1200	554.03.172

Packing: 1 piece

Front extension

Drawer side height 92 mm, with railing

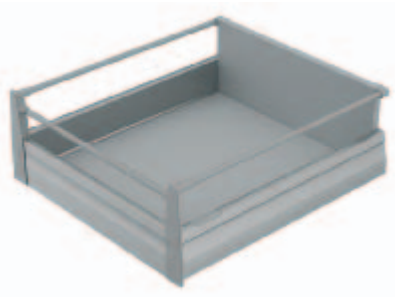


For cabinet width mm	Cat. No.
300	554.04.121
400	554.04.123
450	554.04.124
500	554.04.125
600	554.04.127
800	554.04.128
900	554.04.129
1200	554.04.132

Packing: 1 piece

Internal drawer box with railing

Drawer side height 92 mm, with railing, cross rail and aluminium panel (colour matched)



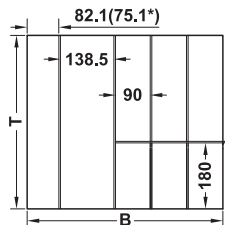
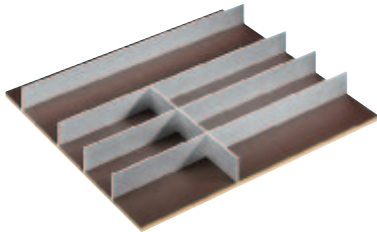
For cabinet width mm	Cat. No.
300	554.04.161
400	554.04.163
450	554.04.164
500	554.04.165
600	554.04.167
800	554.04.168
900	554.04.169
1200	554.04.172

Packing: 1 piece

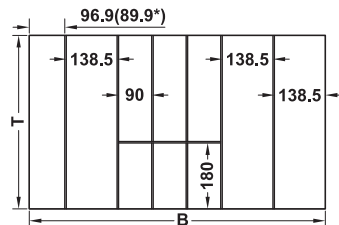
Cutlery insert
Combination of aluminium and linoleum



High-quality insert, ideal for use in kitchens and residential areas.



For cabinet width 600 mm



For cabinet width 900 mm

- Area of application: For drawer with Moovit drawer side runner system or Blum Tandembox
- Version: Width can be shortened up to aluminium divider
- Material: Base made from MDF board with linoleum coating and aluminium divider
- Colour: Brown
- Material thickness: 10 mm
- Height: 53 mm
- Nominal length: 500 mm

For cabinet width mm	Suitable for	Width mm	Depth mm	Cat. No.
600	Moovit drawer side runner system	500	480	553.67.987
600	Blum Tandembox drawer side runner system	507	472	553.20.987
900	Moovit drawer side runner system	800	480	553.67.989
900	Blum Tandembox drawer side runner system	807	472	553.20.989

Highlights 2011, HDE-en, 05/11; Dimensional data not binding. We reserve the right to alter specifications without notice.

Insert mat for cutting to size

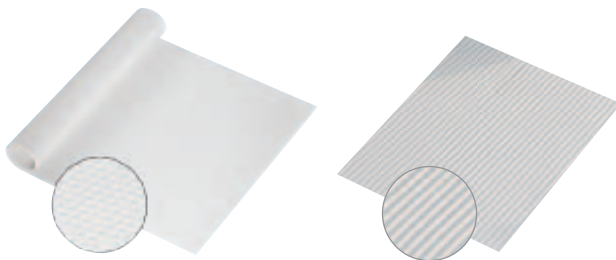


1 roll (length 10 m) is sufficient for approx. 55 insert mats (515 x 480 mm)

- Material: Plastic (PS)
- Finish: Napped or grooved
- Width: 1,550 mm
- Material thickness: 1.3 mm

Colour	Napped	Grooved
Length 500 mm		
White	547.90.790	547.92.773
Silver coloured	547.90.990	547.92.973
Length 10 m		
White	547.90.715	–
Light grey	547.90.515	–
Anthracite	547.90.315	–

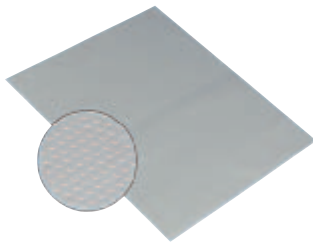
Packing: 1 piece



Napped

Grooved

Insert mat, pre-cut to size



- Area of application: For 19 mm side panel
- Material: Plastic (PS)
- Finish/colour: Napped, silver grey
- For nominal length: 500 mm
- Material thickness: 1.3 mm

For cabinet width mm	Moovit	Grass Nova Pro	Blum Tandembox
600	553.68.527	557.71.007	555.21.007
800	553.68.528	557.71.008	555.21.008
900	553.68.529	557.71.009	555.21.009

Packing: 1 piece

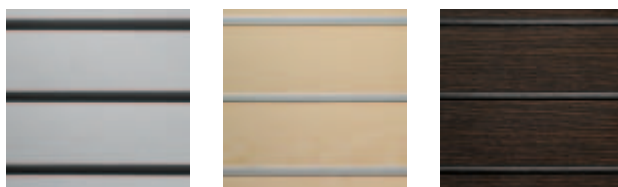
Insert mat with strips



- Material: Mat: Plastic
- Version: With non-slip rubber strips, can be cut to size
- Distance: Rubber strips: 50 mm

Finish/colour	Dimensions mm	Cat. No.
Mat: Silver napped Rubber strips: Black	510 x 600	547.96.567
	810 x 600	547.96.577
Mat: Maple effect Rubber strips: Silver	510 x 600	547.96.167
	810 x 600	547.96.177
Mat: Wenge effect Rubber strips: Black	510 x 600	547.96.767
	810 x 600	547.96.777

Packing: 1 piece



Step ladder

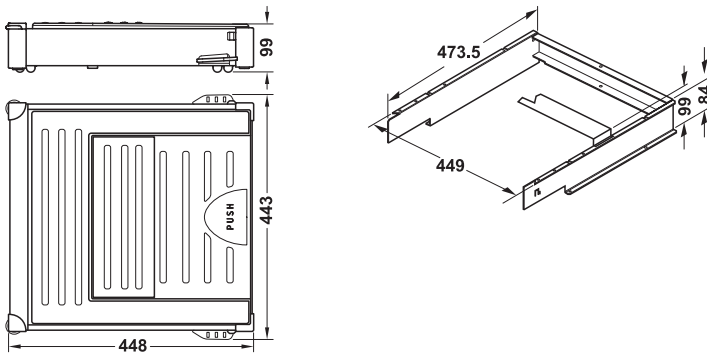
For plinth area



A

- Stored away beneath the cabinet which saves space
- Can easily be lifted and lowered by gently stepping on it
- Rollers provide easy movement in any direction

- Material: Steel, steps: Plastic
- Version: With 2 steps, with non-slip surface, rollers rotate through 360°, with self-locking action
- Load bearing capacity: 150 kg
- Installation: In plinth area 100 mm and 120 – 150 mm

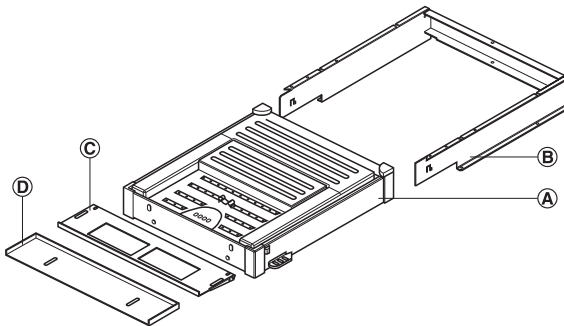


Supplied with

- 1 Step ladder **A**
- 1 Installation frame **B**
- 1 Hinge for folding plinth 120 – 150 mm **C**
- 1 Adapter for plinth 100 mm **D**
- 1 Set of installation and operating instructions

Colour	Cat. No.
Black	505.07.052

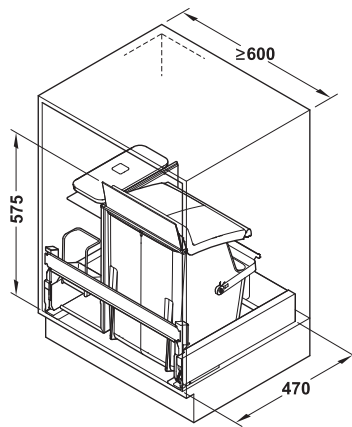
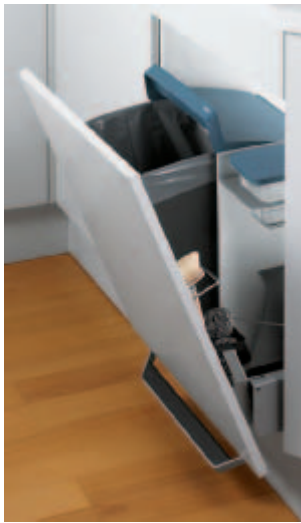
Packing: 1 piece



Application



Capacities 1 x 40 litres, 1 x 2.5 litres and 3 x 1 litre



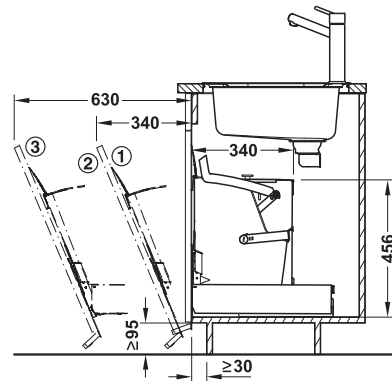
- For cabinet width: min. 600 mm
- For cabinet depth: min. 470 mm
- Type of pull-out: Full extension with self closing and soft closing mechanisms
- Version: With 3 access stages (quick, permanent and full access), dishwasher safe 2.5 l glass dish with lid
- Installation: For screw fixing to base

	Capacity	Cat. No.
Extension element: Steel, silver Bin: Plastic, grey/brown Multi-purpose container: Black System lid: Blue	1 x 40, 1 x 2.5 and 3 x 1	502.18.514

Packing: 1 piece

Order reference

Please order foot pedal separately.



- ① Quick access: Tilt briefly and release
- ② Permanent access: Tilt and open slightly
- ③ Full access: Tilt and extend

Foot pedal

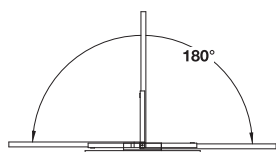
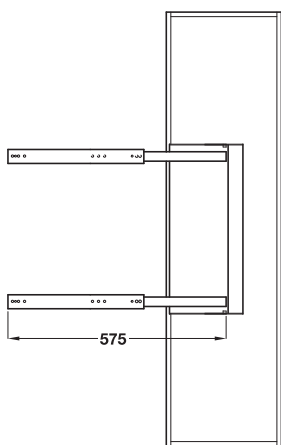
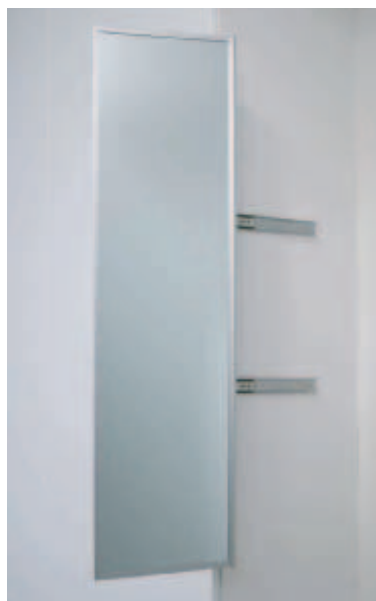


- Area of application: For tilting the waste bin without the use of hands, can be retrofitted
- Material: Steel
- Plinth height: min. 95 mm
- Plinth offset min. 30 mm

Colour	Cat. No.
Silver coloured	502.18.591

Packing: 1 piece

Mirror, extending, swivels by 180°



- Material: Aluminium
- Finish: Anodized
- Extension length: 350 mm
- Dimensions (W x D): 450 x 38 mm

Height mm	Cat. No.
580	805.72.291
1155	805.72.290

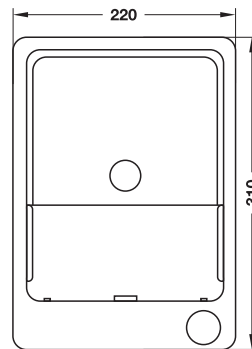
Packing: 1 piece

iDock Basic



A

- High-quality docking station for iPad®
- Wall integration with flush mounted box
- Automatic accu battery charger
- Capacitive proximity sensor for opening/closing
- Activation via potential free contact
- Connection of different switching devices possible (fingerprint reader/touch switch/Dialock)
- Composite audio interface
- Secure-open function



- iDock Basic dim. (W x H x D) 220.0 x 310.0 x 66.8 mm
- Flush mounted box dim. (W x H x D) 214.1/304.2/70.0 mm
- Recess for flush mounted box (W x H x D) 205.0/295.0/70.0 mm
- Voltage supply 85-264 V AC, 47-63 Hz / 15W
- Output ports Composite audio / RCA
- Weight 1,700 g
- Touch Sensor Capacitive proximity sensor
- External connection Yes (deactivated on delivery)
- Secure-open function Yes (in the event of a power failure)
- Installation position Vertical – max. tilting angle: +/- 3° approx. 3° in any direction

Description	Version	Faceplate	Cat. No.
iDock	Basic	Black	822.63.300

Supplied with:

- 1 iDockBasic in black, vertical format
- 1 Faceplate: Pianor black, optional: Opal white or aluminium (iPadlook)
- 1 Set of operating instructions
- Mounting material

Note:

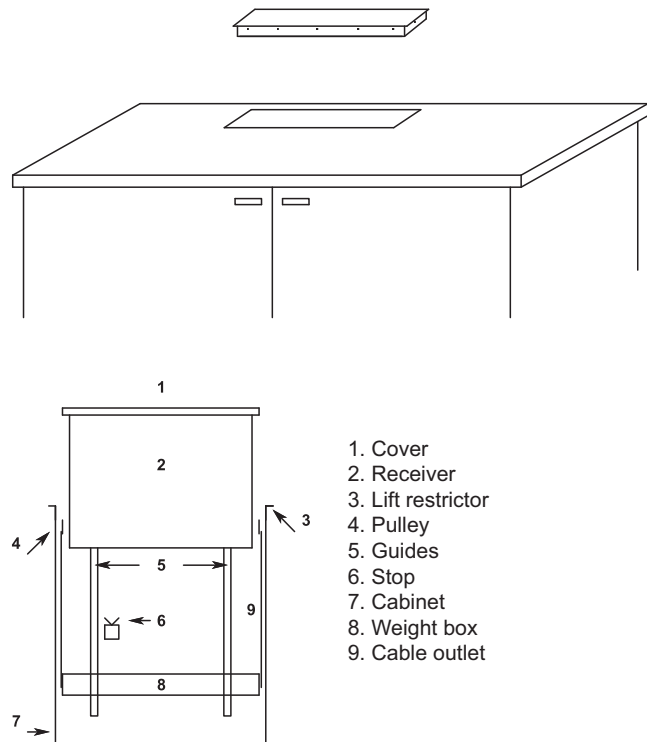
The flush mounted box must be ordered separately, if required. iPad® is a registered trademark of Apple Inc.





Manual Lift System



- Material: Steel
- Finish: Box: Black, lid: Stainless steel
- Version: Push opening

Installation:
 Guides and counterweights are pre-mounted.
 Box can be inserted directly into the worktop cut-out.



Picture	Name	Installation dimensions	Supplied with	Cat. No.	
	iPod Box	Worktop cut-out dimensions	115 x 295 mm	iPod Docking station	504.80.001
		Box	102 x 283 x 500 mm		
		Lid	100 x 280 mm		
		Lift	170 mm		
	Key box	Worktop cut-out dimensions	115 x 425 mm	4 key hooks	540.80.013
		Box	102 x 412 x 700 mm		
		Lid	100 x 410 mm		
		Lift	200 mm		
	Knife box	Worktop cut-out dimensions	115 x 425 mm	Without knives	540.80.023
		Box	102 x 412 x 700 mm		
		Lid	100 x 410 mm		
		Lift	210 mm		
	Spice box	Worktop cut-out dimensions	115 x 425 mm	10 spice jars (without content)	540.80.033
		Box	102 x 412 x 700 mm		
		Lid	100 x 410 mm		
		Lift	230 mm		
	TV box	Worktop cut-out dimensions	135 x 535 mm	TV (19" LCD)	540.80.045
		Box	125 x 522 x 770 mm		
		Lid	123 x 522 mm		
		Lift	300 mm		

Mini-Lift

Load bearing capacity 50 kg



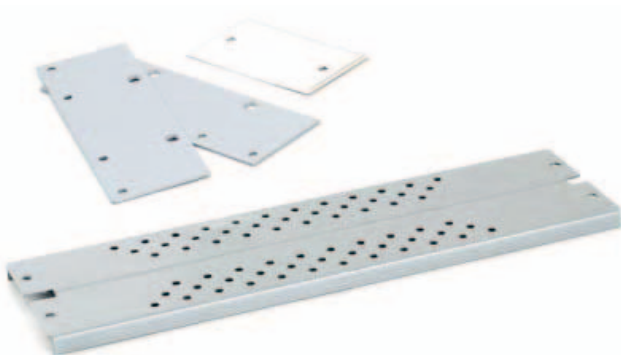
- Area of application: For flat screens
- Load bearing capacity: 50 kg
- Material: Steel
- Colour: Silver coloured
- Installation: For installation in furniture
- Lift: 460 mm
- Travel speed: 25 mm/seconds
- VESA Standard: Universal

Supplied with

- 1 Lift system
- 1 Remote control

	Cat. No.
Mini-Lift lift system	421.68.421
Mini-Lift mounting plate	421.68.431

Packing: 1 set

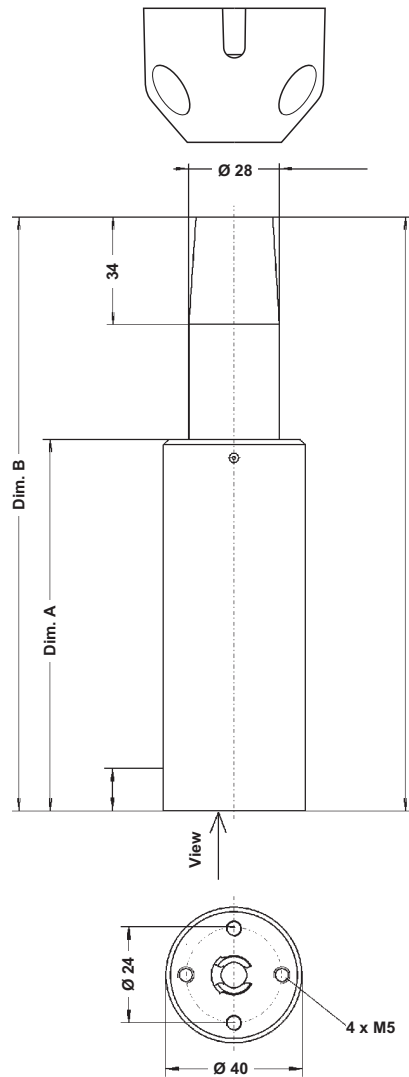


Push Lift

With stay closed feature for holding in closed



- Material: Steel
- Finish: Support tube: Black, vertical tube: Chrome
- Version: Activation by slightly pushing down; automatic and gentle lifting action

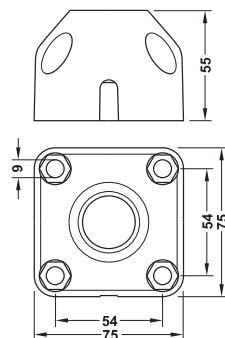


Mounting reference:
Screw-in depth for support tube max. 13 mm.

Dim. B	Stop positions	Throw	Dim. A	Lifting power N	Cat. No.
575±3	393±3	190	340±3	150	636.00.301
775±3	493±3	290	440±3		636.00.302
975±3	593±3	390	540±3		636.00.303
575±3	393±3	190	340±3	200	636.00.304
775±3	493±3	290	440±3		636.00.305
975±3	593±3	390	540±3		636.00.306

Accessories

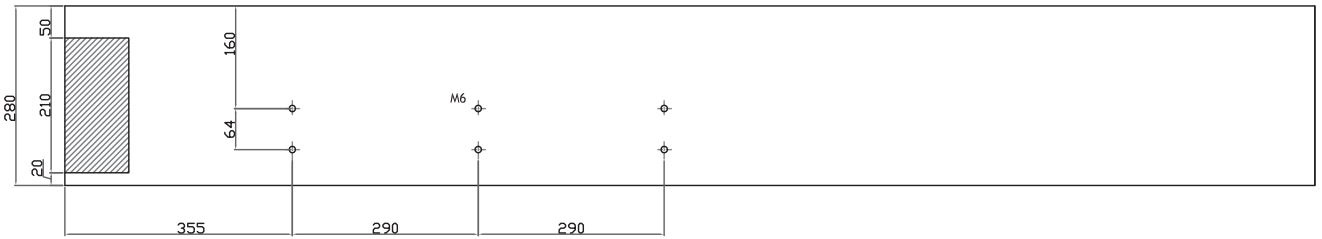
Mounting plate for accommodating cone



- Material: Zinc alloy
- Installation: For screw fixing

	Cat. No.
Mounting plate	636.00.309

Lift Slatted Frame



A

- Sheets can be changed easily
- Maximum use of storage space

- Area of application: Opening mechanism allows opening in inclined position and 90° position

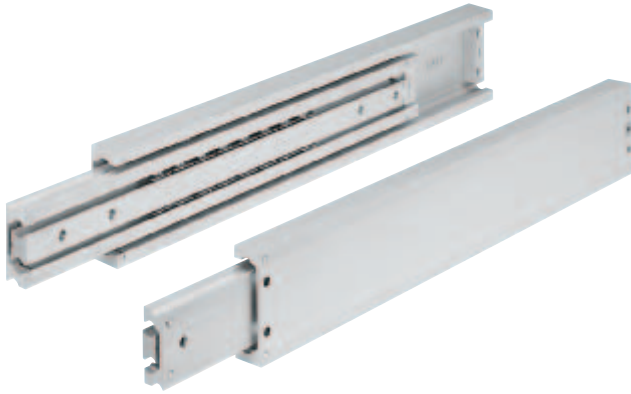
	Cat. No.
Opening mechanism	274.52.910

Accessories

	Cat. No.
Cross bar 900 mm	274.52.921
Cross bar 1000 mm	274.52.922
Cross bar 1400 mm	274.52.923
Gas loaded spring 300 N	274.52.933
Gas loaded spring 500 N	274.52.935
Gas loaded spring 700 N	274.52.937

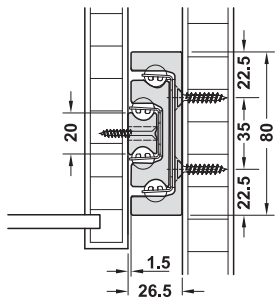
Accuride DA4160, full extension

Load bearing capacity up to 300 kg



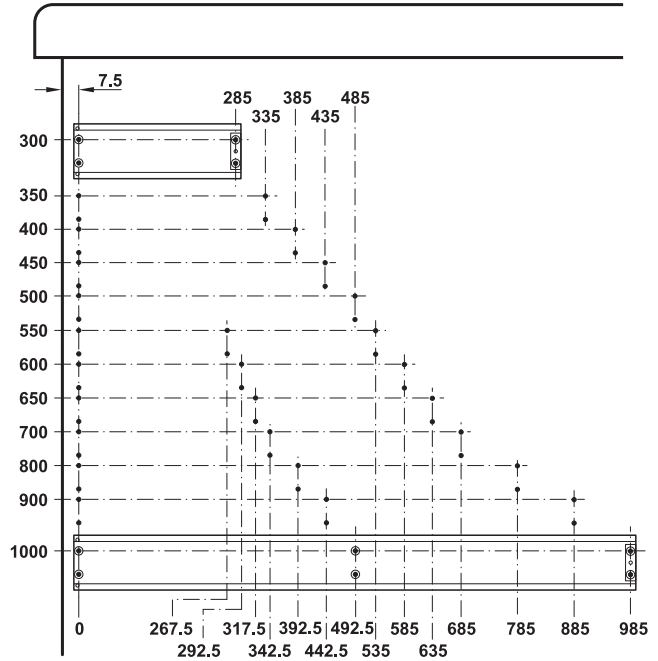
- Area of application: For heavy loads, for right and left hand use
- Material: Aluminium, ball cages and balls: Stainless steel, corrosion resistant
- Dimensions: max. drawer width = internal cabinet width – 53 mm
- Installation: At drawer side

Installation



Base mounting not possible

Drilling pattern

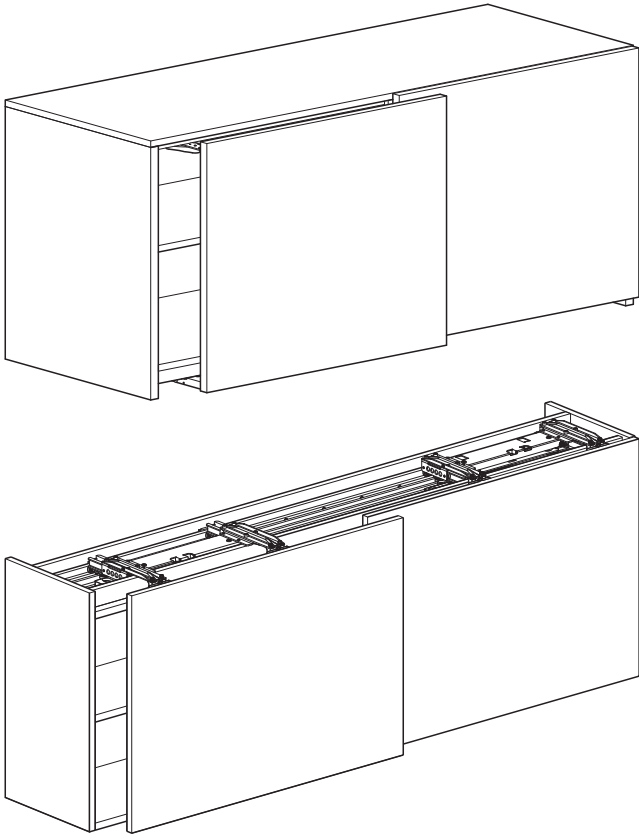


Installation length L mm	Extension length AL mm	Load bearing capacity per pair kg	Cat. No.
300	300	240	432.52.930
400	400	270	432.52.940
450	450	285	432.52.945
500	500	300	432.52.950
550	550	300	432.52.955
600	600	300	432.52.960
650	650	295	432.52.965
700	700	290	432.52.970
800	800	270	432.52.980
900	900	250	432.52.990
1000	1000	230	432.52.995

Packing: 1 pair

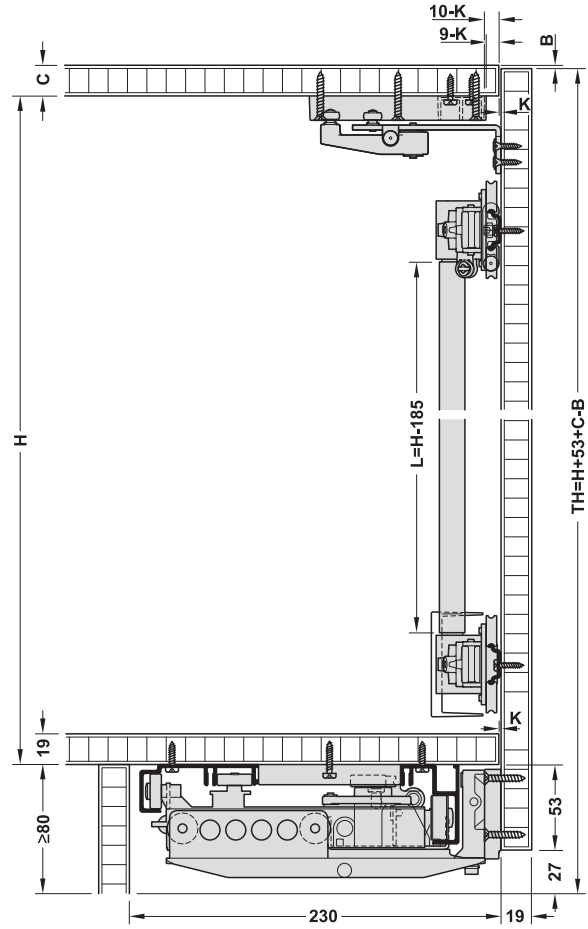
EKU Frontino 20 FB

For door weights up to 20 kg

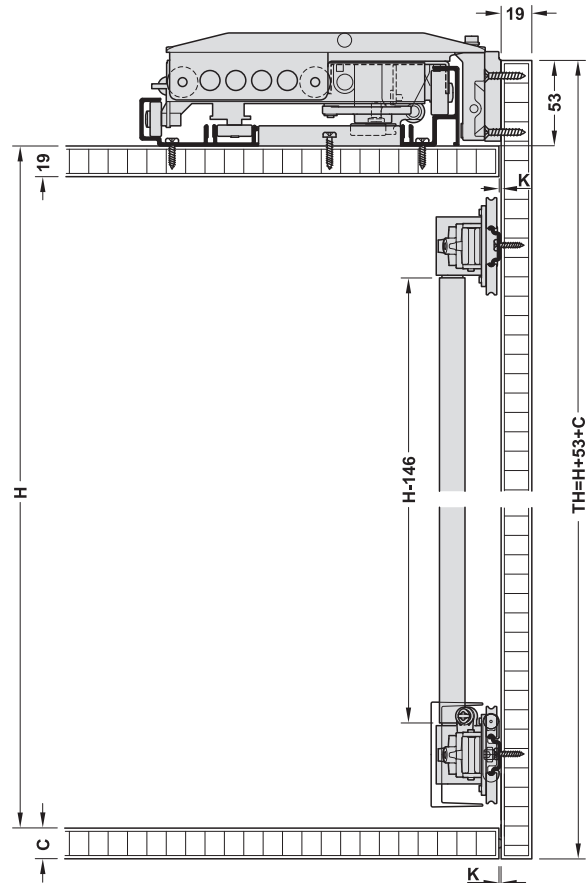


- Door height: max. 1,000 mm
- Door width: 600–1,200 mm
- Door thickness: 19 mm
- Material: Aluminum, rollers: Plastic
- Running gear: Top or bottom running, 4-point guidance
- Running gear guided by: Ball bearings
- Door stop: Stopper system with soft closing mechanism integrated in running equipment
- Installation: Running gear and tracks for screw fixing
- Symmetrical door arrangement
- Installation depth: 230 mm
- Handle height: max. 35 mm
- Distance from handle to door edge: Handle height

Sideboard



Wall unit



→ **Set**

	Cat. No.
For 2 doors, with installation instructions	406.02.000
For 2 doors, with installation instructions	406.02.001
For 2 doors, with installation instructions	406.02.002

Packing: 1 set

Order reference

Please order running and guide tracks separately.

→ **Track set**

	For door width mm	Material	Finish/colour	Cat. No.
Track set, type S	1200–1799	Aluminium	Anodized, silver coloured	406.02.600
Track set, type M	1800–2199			406.02.601
Track set, type L	2200–2400			406.02.602
Top or bottom guide track, for screw fixing, type S	1200–1799	Aluminium	Anodized, silver coloured	406.02.800
Top or bottom guide track, for screw fixing, type M	1800–2199			406.02.801
Top or bottom guide track, for screw fixing, type L	2200–2400			406.02.802

Packing: 1 set

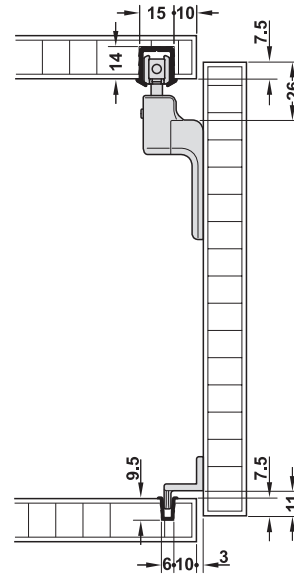
Classic 20 VF C

For door weights up to 20 kg

smuso
...soft & silent

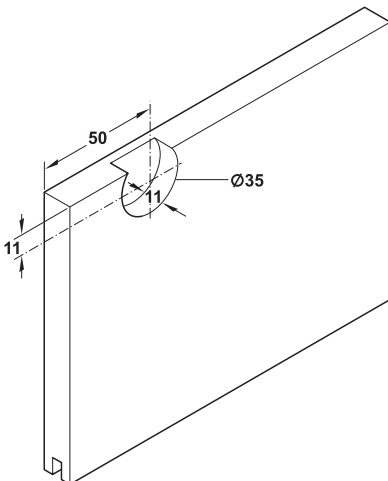


Installation dimensions



- Door height: max. 1,400 mm
- Door width: max. 1,250 mm
- Door thickness: 16 – 19 mm
- Height adjustment: ± 1.5 mm on running gear using adjusting wheel
- Material: Running gear and guide: Plastic, mounting plate: Zinc alloy
- Running gear: Top running, 4 rollers
- Running gear guided by: Friction bearing mounted roller: Plastic, axle: Steel
- Door stop: Top stopper, with retainer for sliding into top running track
- Installation: Mounting plate for screw fixing, running gear for sliding in and screw fixing, guide for screw fixing to door

Drilling pattern for running gear



→ **Set**

smuso
...soft & silent

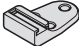

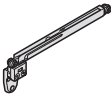
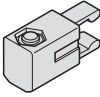

	Cat. No.
For 1 door, with clip-in stopper, with installation instructions	402.30.004
For 1 door, with soft and self closing mechanism 20 kg, with installation instructions	402.30.005

Packing: 1 set

Order reference

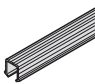
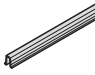
Please order running and guide tracks separately.

→ **Set components**

		For 1 door	Material	Colour	Cat. No.
Mounting plate, for screw fixing		2 pieces	Plastic	Black	402.30.108
Running gear with friction bearing, for screw fixing		2 pieces	Plastic	Black	402.30.104
Running gear with soft and self closing mechanism and friction bearing, for screw fixing		2 pieces	Plastic	Black	402.30.105
Clip-in door stopper, for running tracks		2 pieces	Plastic	Black	402.30.300
Door stopper for soft and self closing mechanism, for running tracks		2 pieces	Plastic	Black	402.30.301
Guide, for screw fixing		2 pieces	Plastic	Black	402.30.201

Packing: 1 piece

→ **Tracks and accessories**

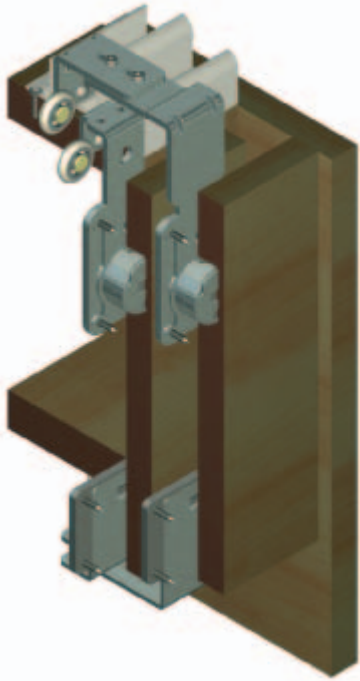
		Length	Cabinet top thickness	Material	Finish/colour	Cat. No.
Single top running track, for press fitting and gluing into 15 mm groove		2.5 m	min. 19 mm	Aluminium	Bright	402.30.602
		3.5 m				402.30.603
Single bottom guide track, ribbed, for press fitting and gluing into 6 mm groove		2.5 m	min. 19 mm	Plastic	Grey	402.30.802
		3.5 m				402.30.803

Packing: 1 piece

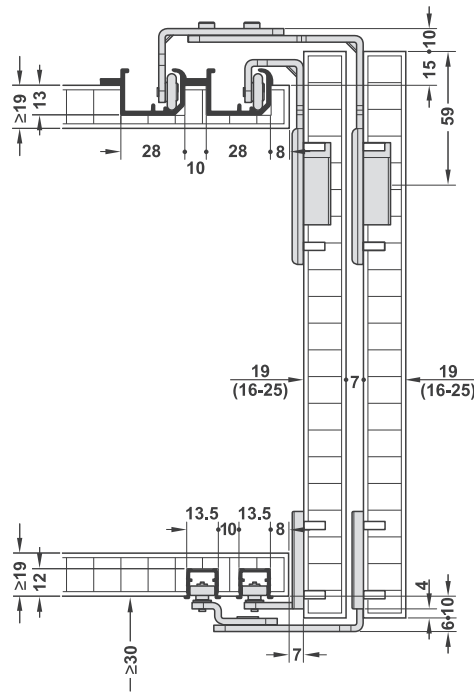
Classic 20 VF T

For door weights up to 20 kg

smuso
...soft & silent

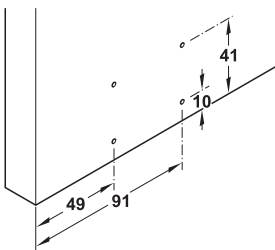
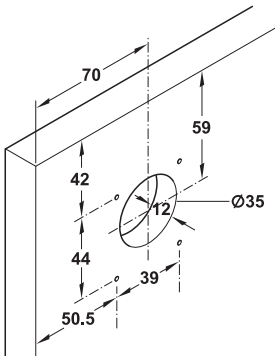


Installation dimensions



- Door height: max. 1,800 mm
- Door width: max. 1,000 mm
- Door thickness: 16–25 mm
- Height adjustment: ± 2 mm on running gear using adjusting wheel
- Material: Housing: Plastic, running gear, mounting plate and guide: Steel
- Running gear: Top running, 1 roller
- Running gear guided by: Friction bearing mounted roller: Plastic, axle: Steel
- Door stop: At top with clip-in stopper or soft and self closing mechanism for sliding into top running track, at bottom with soft closing mechanism in guide track
- Installation: Housing and running gear for screw fixing, guide for screw fixing to door

Drilling pattern



→ **Set**

smuso
...soft & silent

	Cat. No.
For 2 doors, with clip-in stopper, with installation instructions	402.31.008
For 3 doors, with clip-in stopper, with installation instructions	402.31.009
For 2 doors, with soft and self closing mechanism 20 kg, with installation instructions	402.31.010
For 3 doors, with soft and self closing mechanism 20 kg, with installation instructions	402.31.011

Packing: 1 set

Order reference

Please order running and guide tracks separately.

→ **Set components**

		For 2 doors	For 3 doors	Material	Colour	Cat. No.
Housing for inserting and screw fixing in 35 mm cup drilling; running gear with friction bearings, for rear door		2 pieces	4 pieces	Plastic; steel	Black; galvanized	402.31.104
Housing for inserting and screw fixing in 35 mm cup drilling; running gear with friction bearings, for front door		2 pieces	2 pieces	Plastic; steel	Black; galvanized	402.31.105
Bottom door stopper, for bottom guide track		4 pieces	6 pieces	Plastic	Black	402.31.310
Guide, for screw fixing to rear door		2 pieces	4 pieces	Plastic; steel	Black; galvanized	402.31.204
Guide, for screw fixing to front door		2 pieces	2 pieces	Plastic; steel	Black; galvanized	402.31.205

Packing: 1 piece

→ **Tracks and accessories**

		Length	Cabinet top thickness	Material	Finish/colour	Cat. No.
Single top running track, for press fitting and gluing into 28 mm groove		2.5 m	min. 25 mm	Aluminium	Anodized, silver coloured	402.31.622
		3.5 m				402.31.623
Single bottom guide track, for press fitting and gluing into 13.5 mm groove		2.5 m	min. 25 mm	Aluminium	Bright	402.31.632
		3.5 m				402.31.633
Top soft and self closing mechanism for door 20 kg, for sliding into running track, for rear door		–	–	Steel	Galvanized	402.31.311
Top soft and self closing mechanism for door 20 kg, for sliding into running track, for front door		–	–	Steel	Galvanized	402.31.312
Top clip-in door stopper with retainer, for rear door		–	–	Plastic	Black	402.31.308
Top clip-in door stopper with retainer, for front door		–	–	Plastic	Black	402.31.309

Packing: 1 piece

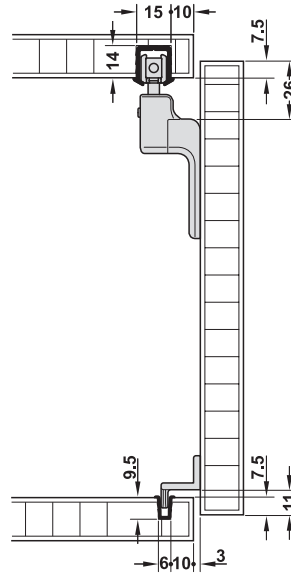
Highlights 2011, HDE-en, 05/11; Dimensional data not binding. We reserve the right to alter specifications without notice.

Classic 40 VF C

For door weights up to 40 kg,
flush fitted solution for sideboards/wall units

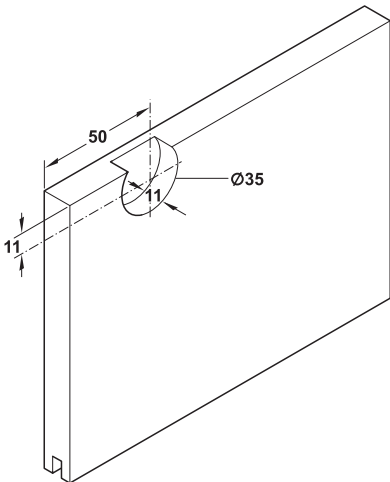


Installation dimensions



- Door height: max. 2,200 mm
- Door width: max. 1,250 mm
- Door thickness: 19 – 25 mm
- Height adjustment: ± 1.5 mm on running gear using adjusting wheel
- Material: Running gear and guide: Plastic, mounting plate: Zinc alloy
- Running gear: Top running, 4 rollers
- Running gear guided by: Ball bearing mounted, plastic coated rollers, steel axle
- Door stop: Top stopper, with retainer for sliding into top running track
- Installation: Mounting plate for screw fixing, running gear for sliding in and screw fixing, guide for screw fixing to door

Drilling pattern for running gear



→ **Set**

smuso
...soft & silent

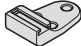

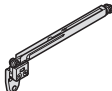
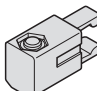

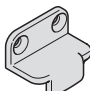
	Cat. No.
For 1 door, with clip-in stopper, with installation instructions	402.30.006
For 1 door, with soft and self closing mechanism 40 kg, with installation instructions	402.30.007

Packing: 1 set

Order reference

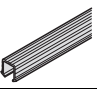
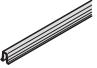
Please order running and guide tracks separately.

→ **Set components**

		For 1 door	Material	Colour	Cat. No.
Mounting plate, for screw fixing		2 pieces	Plastic	Black	402.30.108
Running gear with ball bearing, for sliding in and screw fixing		2 pieces	Plastic	Black	402.30.106
Running gear with soft and self closing mechanism and ball bearing, for sliding in and screw fixing		2 pieces	Plastic	Black	402.30.107
Clip-in door stopper, for running tracks		2 pieces	Plastic	Black	402.30.300
Door stopper for soft and self closing mechanism, for running tracks		2 pieces	Plastic	Black	402.30.301
Guide, for screw fixing		2 pieces	Running gear and guide: Plastic, mounting plate: Zinc alloy	–	402.30.202

Packing: 1 piece

→ **Tracks and accessories**

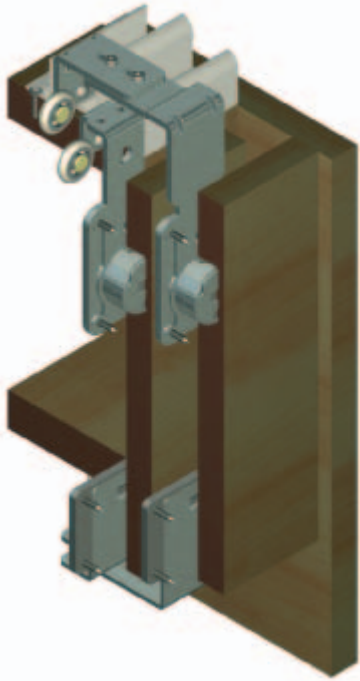
		Length	Cabinet top thickness	Material	Finish/colour	Cat. No.
Single top running track, for press fitting and gluing into 15 mm groove		2.5 m	min. 19 mm	Aluminium	Bright	402.30.602
		3.5 m				402.30.603
Single bottom guide track, ribbed, for press fitting and gluing into 6 mm groove		2.5 m	min. 19 mm	Plastic	Grey	402.30.802
		3.5 m				402.30.803

Packing: 1 piece

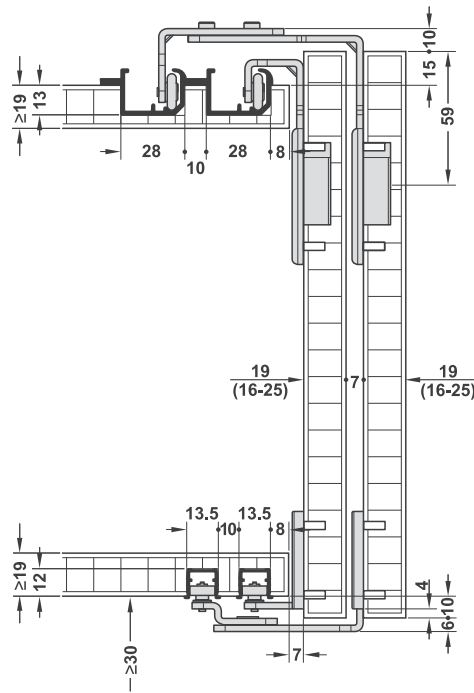
Classic 40 VF T

For door weights up to 40 kg

smuso
...soft & silent

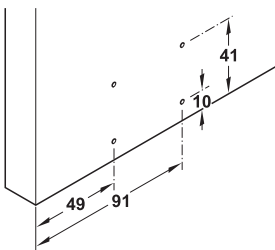
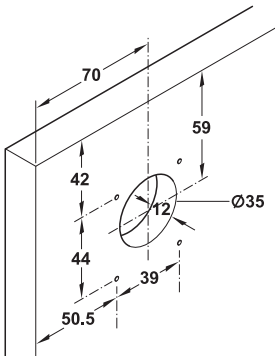


Installation dimensions



- Door height: max. 2,400 mm
- Door width: max. 1,250 mm
- Door thickness: 19–25 mm
- Height adjustment: ± 2 mm on running gear using adjusting wheel
- Material: Housing: Zinc alloy, running gear, mounting plate and guide: Steel
- Running gear: Top running, 1 roller
- Running gear guided by: Ball bearing mounted, plastic coated rollers, steel axle
- Door stop: At top with clip-in stopper or soft and self closing mechanism for sliding into top running track, at bottom with soft closing mechanism in guide track
- Installation: Housing and running gear for screw fixing, guide for screw fixing to door

Drilling pattern



→ **Set**

smuso
...soft & silent

	Cat. No.
For 2 doors, with clip-in stopper, with installation instructions	402.31.004
For 3 doors, with clip-in stopper, with installation instructions	402.31.005
For 2 doors, with soft and self closing mechanism 40 kg, with installation instructions	402.31.006
For 3 doors, with soft and self closing mechanism 40 kg, with installation instructions	402.31.007

Packing: 1 set

Order reference

Please order running and guide tracks separately.

→ **Set components**

		For 2 doors	For 3 doors	Material	Colour	Cat. No.
Housing for inserting and screw fixing in 35 mm cup drilling; running gear with ball bearings, for rear door		2 pieces	4 pieces	Zinc alloy; steel	Galvanized	402.31.102
Housing for inserting and screw fixing in 35 mm cup drilling; running gear with ball bearings, for front door		2 pieces	2 pieces	Zinc alloy; steel	Galvanized	402.31.103
Bottom door stopper, for bottom guide track		4 pieces	6 pieces	Plastic	Black	402.31.305
Guide, for screw fixing to rear door		2 pieces	4 pieces	Plastic; steel	Black	402.31.202
Guide, for screw fixing to front door		2 pieces	2 pieces	Plastic; steel	Black	402.31.203

Packing: 1 set

→ **Tracks and accessories**

		Length	Cabinet top thickness	Material	Finish/colour	Cat. No.
Single top running track, for press fitting and gluing into 28 mm groove		2.5 m	min. 25 mm	Aluminium	Anodized, silver coloured	402.31.622
		3.5 m				402.31.623
Single bottom guide track, for press fitting and gluing into 13.5 mm groove		2.5 m	min. 25 mm	Aluminium	Bright	402.31.632
		3.5 m				402.31.633
Top soft and self closing mechanism for door 40 kg, for sliding into running track, for rear door		–	–	Steel	Galvanized	402.31.306
Top soft and self closing mechanism for door 40 kg, for sliding into running track, for front door		–	–	Steel	Galvanized	402.31.307
Top clip-in door stopper with retainer, for rear door		–	–	Plastic	Black	402.31.308
Top clip-in door stopper with retainer, for front door		–	–	Plastic	Black	402.31.309

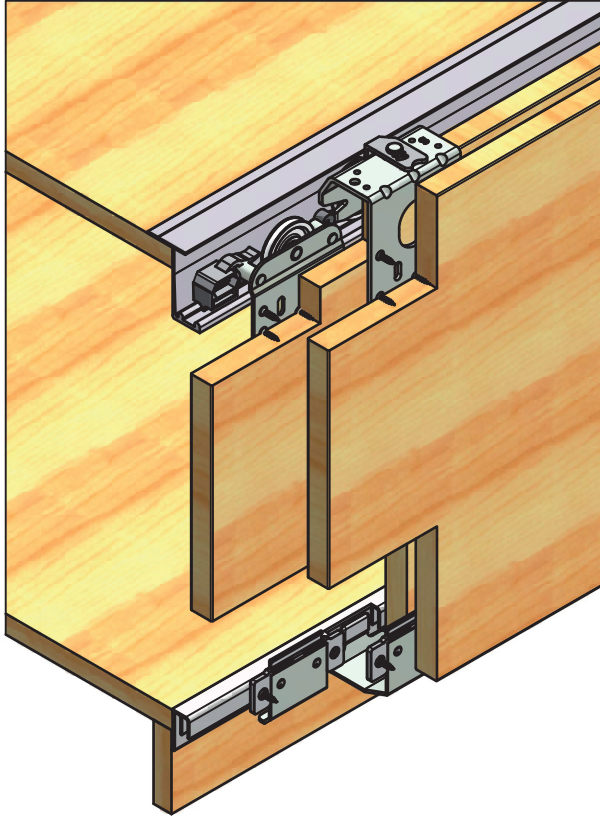
Packing: 1 piece

Classic 50 VF P

For door weights up to 50 kg

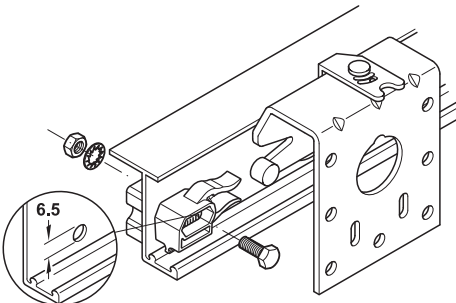


- With connection facility to e-drive electric sliding door drive
- Concave running gears for excellent running characteristics

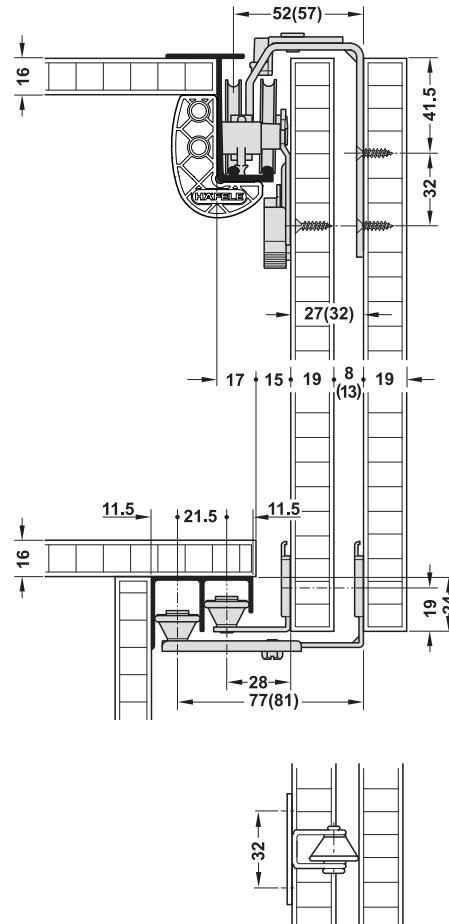


- Door thickness: 19 – 21 mm
- Material: Running gears and guides: Steel, double running and guide track: Aluminium
- Running gear: Top running, 1 roller
- Running gear guided by: Plastic roller with ball bearing
- Installation: Running gear, tracks and guide for screw fixing

Track stopper installation



Installation dimensions



smuso
...soft & silent

→ **Set**

	Door thickness mm	Cat. No.
For 2 doors, with installation instructions	19 – 21	400.51.190
For 2 doors, with connection facility to e-drive, with installation instructions	19 – 21	400.51.192
For 3 doors, with installation instructions	19 – 21	400.51.191

Packing: 1 set

Order reference

Please order running and guide track, centre stopper and spacer separately.
For cabinets with 5 doors please order 1 set for 2 doors and 1 set for 3 doors.

→ **Set components (individual components)**

		For 2 doors	For 3 doors	Material	Finish/colour
Running gear, for front door, plastic roller with ball bearing and pre-mounted anti-derailment device		2 pieces	2 pieces	Steel	Galvanized
Running gear, for rear door, plastic roller with ball bearing		2 pieces	4 pieces	Steel	Galvanized
Running gear, for rear door, without bolt, plastic roller with ball bearing		1 piece	2 pieces	Steel	Galvanized
Track stopper, for front and rear door, for mounting in double top running track		2 pieces	2 pieces	Plastic	Grey
Stabilising block, for double top running track		2 pieces	2 pieces	Plastic	Grey
Centre door stopper		–	1 piece	Plastic	Grey
Running gear, for front door, plastic roller with ball bearing and pre-mounted anti-derailment device		2 pieces	2 pieces	Steel	Galvanized
Running gear, for rear door, plastic roller with ball bearing		2 pieces	4 pieces	Steel	Galvanized
Guide runner clip		4 pieces	6 pieces	Plastic	

Order reference

Always screw running gear for rear door – with follower – to door next to the side panel.

→ **Tracks and individual components**

		Length m	Material	Finish/colour	Cat. No.
Double top running track, for screw fixing		2.5 m	Aluminium	Silver coloured anodized	400.52.962
		3.5 m			400.52.963
Double bottom guide track, for screw fixing		2.5 m	Aluminium	Silver coloured anodized	400.52.952
		3.5 m			400.52.953
Spacer, for screw fixing to rear door, distance 20 mm		–	Steel with plastic roller	Galvanized	400.60.000

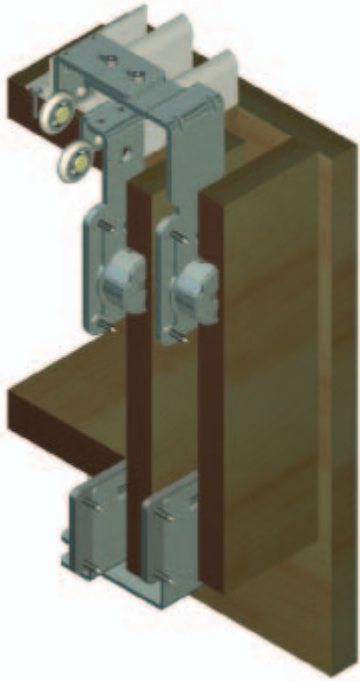
Packing: 1 piece

Order reference

Tracks are also available in fixed lengths with pre-mounted track stoppers and pre-drilled holes for mounting the guide stopper from an order quantity of 250 pieces and above.

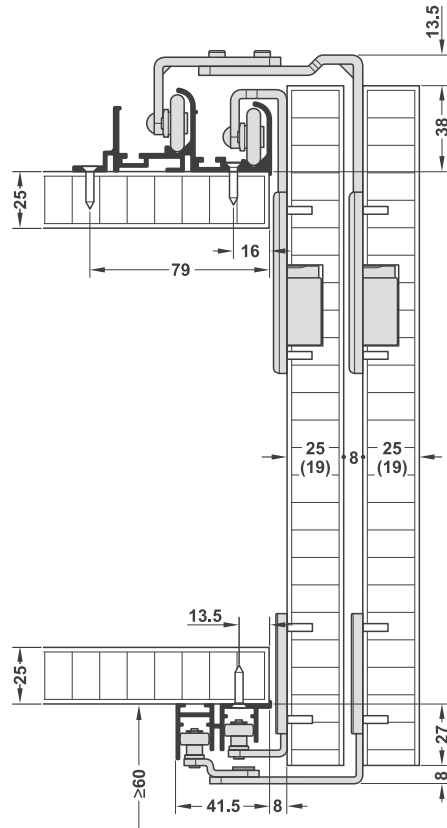
Classic 60 VF T

For door weights up to 60 kg



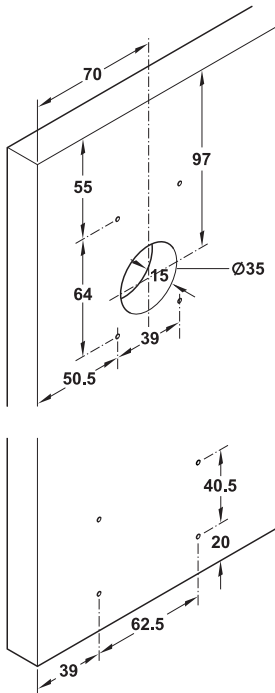
Installation dimensions

smuso
...soft & silent



- Door height: max. 2,400 mm
- Door width: max. 1,450 mm
- Door thickness: 16–25 mm
- Height adjustment: ± 2 mm on running gear using adjusting wheel
- Material: Housing: Zinc alloy, running gear, mounting plate and guide: Steel
- Running gear: Top running, 2 rollers
- Running gear guided by: Ball bearing mounted, plastic coated rollers, steel axle
- Door stop: At top with clip-in stopper or soft and self closing mechanism for sliding into top running track, at bottom with soft closing mechanism in guide track
- Installation: Housing and running gear for screw fixing, guide for screw fixing to door

Drilling pattern



→ **Set**

smuso
...soft & silent

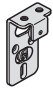

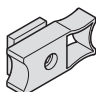
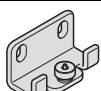
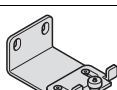
	Cat. No.
For 2 doors, with clip-in stopper, with installation instructions	402.31.000
For 3 doors, with clip-in stopper, with installation instructions	402.31.001
For 2 doors, with soft and self closing mechanism 60 kg, with installation instructions	402.31.002
For 3 doors, with soft and self closing mechanism 60 kg, with installation instructions	402.31.003

Packing: 1 set

Order reference

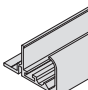
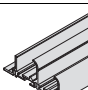
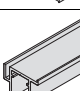
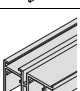

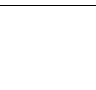
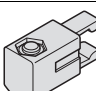
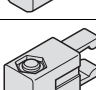
Please order running and guide tracks separately.

→ **Set components**

		For 2 doors	For 3 doors	Material	Colour	Cat. No.
Housing for inserting and screw fixing in 35 mm cup drilling; running gear with ball bearings, for rear door		2 pieces	4 pieces	Zinc alloy; steel	Galvanized	402.31.100
Housing for inserting and screw fixing in 35 mm cup drilling; running gear with ball bearings, for front door		2 pieces	2 pieces	Zinc alloy; steel	Galvanized	402.31.101
Bottom door stopper, for bottom guide track		2 pieces	6 pieces	Plastic	Black	402.31.300
Guide, for screw fixing to rear door		2 pieces	4 pieces	Plastic; steel	Black	402.31.200
Guide, for screw fixing to front door		2 pieces	2 pieces	Plastic; steel	Black	402.31.201

Packing: 1 piece

→ **Tracks and accessories**

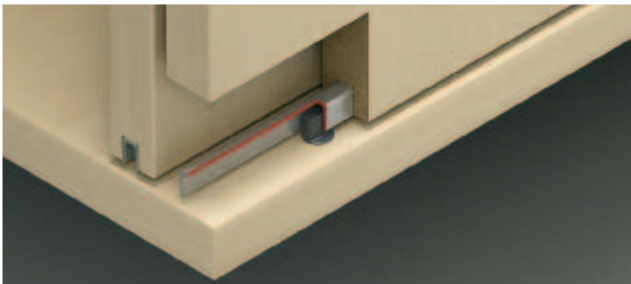
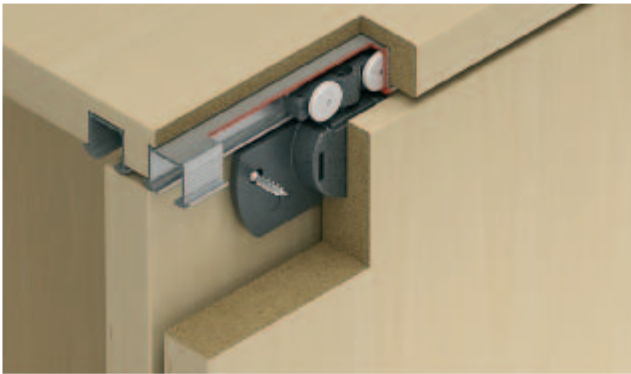
		Length	Cabinet top thickness	Material	Finish/colour	Cat. No.
Single top running track, with stop strip, for screw fixing to top panel		2.5 m	min. 25 mm	Aluminium	Anodized, silver coloured	402.31.602
		3.5 m				402.31.603
Double top running track, with stop strip, for screw fixing to top panel		2.5 m	min. 25 mm	Aluminium	Anodized, silver coloured	402.31.612
		3.5 m				402.31.613
Single bottom guide track, with stop strip, for screw fixing to base panel		2.5 m	min. 25 mm	Aluminium	Anodized, silver coloured	402.31.802
		3.5 m				402.31.803
Double bottom guide track, with stop strip, for screw fixing to base panel		2.5 m	min. 25 mm	Aluminium	Anodized, silver coloured	402.31.812
		3.5 m				402.31.813
Top soft and self closing mechanism for door 60 kg, for sliding into running track, for rear door		–	–	Steel	Galvanized	402.31.301
Top soft and self closing mechanism for door 60 kg, for sliding into running track, for front door		–	–	Steel	Galvanized	402.31.302
Top clip-in door stopper with retainer, for rear door		–	–	Plastic	Black	402.31.303
Top clip-in door stopper with retainer, for front door		–	–	Plastic	Black	402.31.304

Packing: 1 piece

Highlights 2011, HDE-en, 05/11; Dimensional data not binding. We reserve the right to alter specifications without notice.

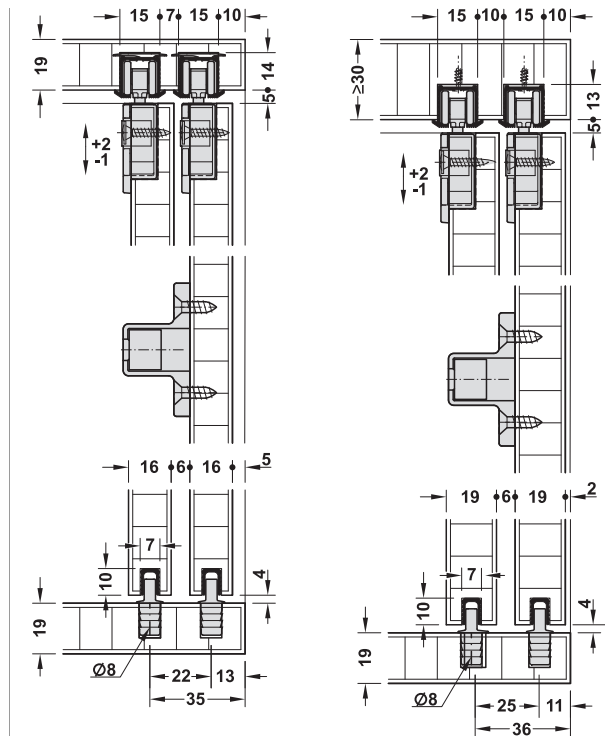
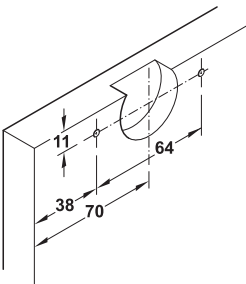
EKU Clipo 16 IF

For door weights up to 16 kg



- Door height: max. 1,400 mm
- Door width: max. 1,000 mm
- Door thickness: 16 – 19 mm
- Height adjustment: +2/-1 mm on running gear using adjusting wheel
- Material: Housing, running gear and guide: Plastic
- Running gear: Top running, 2 rollers
- Running gear guided by: Friction bearing mounted roller: Plastic, axle: Steel
- Door stop: Top stopper, with retainer for sliding into single top running track
- Installation: Housing for screw fixing, running gear without tools (quick fixing system), guide for press fitting into drill hole

Running gear installation

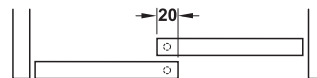


Door thickness 16 mm

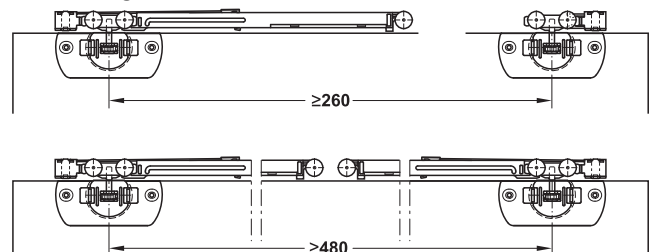
Door thickness 19 mm

- The single top running track can be installed by
- screw fixing into groove or
 - clamping into groove with swivel lugs

Door overlap



Soft closing mechanism installation



→ **Set**

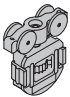
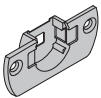
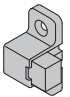
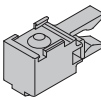

	Cat. No.
For 2 doors, with installation instructions	405.82.216
For 2 doors, with soft closing mechanism (2 pieces), with installation instructions	405.82.218

Packing: 1 piece

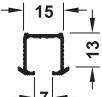
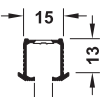
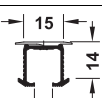
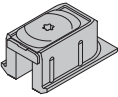
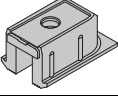
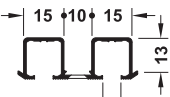
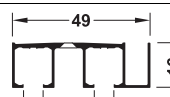


Order reference

Order one soft closing mechanism each for door widths of 480 mm and above.

→ **Set components**

		For 2 doors	Material	Finish/colour
Running gear		4 pieces	Plastic	Black
Housing		4 pieces	Plastic	Black
Door follower		1 piece	Plastic	Grey
Stopper		2 pieces	Plastic	Grey
Guide		2 pieces	Plastic	Black

→ **Tracks and accessories**

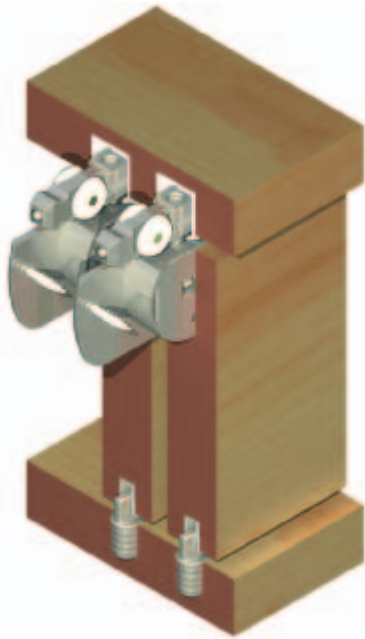
		Cabinet top thickness mm	Material	Finish/colour	Packing	Length m	Cat. No.
Single running track, for glue fixing		min. 19	Aluminium	Bright	1 piece	2.5	405.87.051
						3.5	405.87.054
						6.0	405.87.057
Single running track, pre-drilled, for screw fixing		min. 30	Aluminium	Bright	1 piece	2.5	405.87.071
						3.5	405.87.074
						6.0	405.87.077
Single running track, with swivel lugs (not suitable for hardwood/MDF)		min. 19	Aluminium	Bright	1 piece	2.5	405.87.061
						3.5	405.87.064
						6.0	405.87.067
Track end piece, with swivel lugs (not suitable for hardwood/MDF)		–	Plastic	Grey	2 pieces	–	405.83.180
Track end piece, for screw fixing		–	Plastic	Grey	2 pieces	–	405.83.181
Double running track, pre-drilled, for screw fixing		min. 19	Aluminium	Bright	1 piece	2.5	405.90.041
						3.5	405.90.044
						6.0	405.90.047
Double running track, pre-drilled, for screw fixing		min. 19	Aluminium	Anodized	1 piece	2.5	405.90.951
						3.5	405.90.954
						6.0	405.90.957
Single bottom guide track, ribbed, for press fitting and glue fixing into 7 mm groove		–	Plastic	Anthracite	1 piece	2.5	405.98.517
						3.5	405.98.527
						6.0	405.98.561
Soft closing mechanism for retrofitting or for soft closing on both sides, with installation instructions		–	Plastic	Grey	1 set	–	405.10.070

Highlights 2011, HDE-en, 05/11; Dimensional data not binding. We reserve the right to alter specifications without notice.

Classic 20 IF C

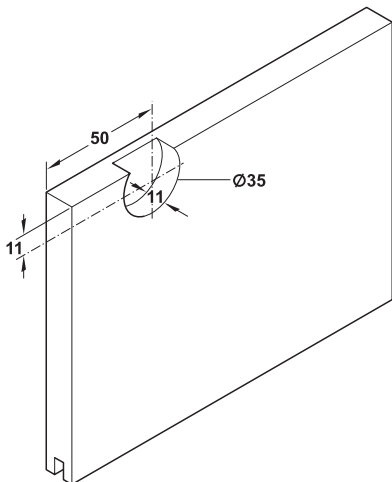
For door weights up to 20 kg

smuso
...soft & silent

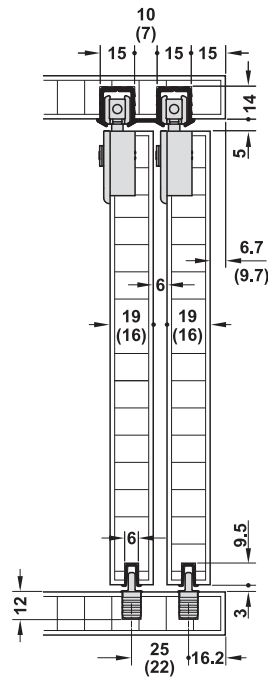


- Door height: max. 1,400 mm
- Door width: max. 1,250 mm
- Door thickness: 16 – 19 mm
- Height adjustment: ±1.5 mm on running gear using adjusting wheel
- Material: Housing, running gear and guide: Plastic
- Running gear: Top running, 4 rollers
- Running gear guided by: Friction bearing mounted roller: Plastic, axle: Steel
- Door stop: At top with clip-in stopper or soft and self closing mechanism for sliding into top running track
- Installation: Housing for screw fixing, running gear without tools (quick fixing system), guide for press fitting into drill hole

Drilling pattern for running gear



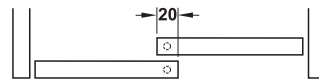
Installation dimensions



The single top running track can be installed by

- screw fixing into groove or
- clamping and gluing into groove

Door overlap



→ **Set**

smuso
...soft & silent

	Cat. No.
For 2 doors, with clip-in stopper, with installation instructions	402.30.000
For 2 doors, with soft and self closing mechanism 20 kg, with installation instructions	402.30.001

Packing: 1 set

Order reference

Please order running and guide tracks separately.

→ **Set components**

		For 2 doors	Material	Colour	Cat. No.
Housing, for screw fixing		4 pieces	Plastic	Black	402.30.100
Running gear with ball bearing, for clipping into housing		4 pieces	Plastic	Black	402.30.101
Running gear with soft and self closing mechanism and ball bearing, for clipping into housing		4 pieces	Plastic	Black	402.30.102
Clip-in door stopper, for running tracks		4 pieces	Plastic	Black	402.30.300
Door stopper for soft and self closing mechanism, for running tracks		4 pieces	Plastic	Black	402.30.301
Guide, for press fitting		2 pieces	Plastic	Black	402.30.200

Packing: 1 piece

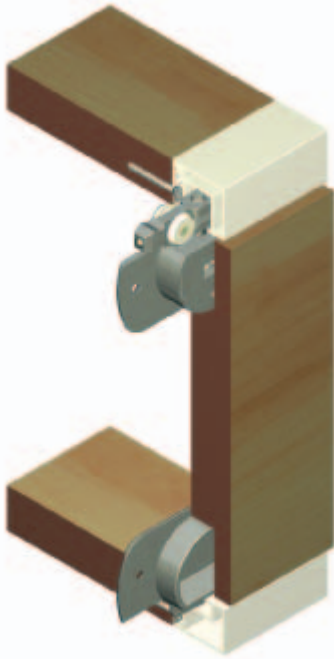
→ **Tracks and accessories**

		Length	Cabinet top thickness	Material	Finish/colour	Cat. No.
Single top running track, for press fitting and gluing into 15 mm groove		2.5 m	min. 19 mm	Aluminium	Bright	402.30.602
		3.5 m				402.30.603
Double top running track, for press fitting and gluing into 15 mm groove, for door thickness 19 mm		2.5 m	min. 19 mm	Aluminium	Bright	402.30.612
		3.5 m				402.30.613
Single top running track, for screw fixing with countersunk chipboard screws Ø 2.5 mm		2.5 m	min. 19 mm	Aluminium	Silver coloured anodized	402.30.622
		3.5 m				402.30.623
Double top running track, for screw fixing with countersunk chipboard screws Ø 2.5 mm, for door thickness 19 mm		2.5 m	min. 19 mm	Aluminium	Silver coloured anodized	402.30.632
		3.5 m				402.30.633
Single bottom guide track, ribbed, for press fitting and gluing into 6 mm groove		2.5 m	min. 19 mm	Plastic	Grey	402.30.802
		3.5 m				402.30.803

Packing: 1 piece

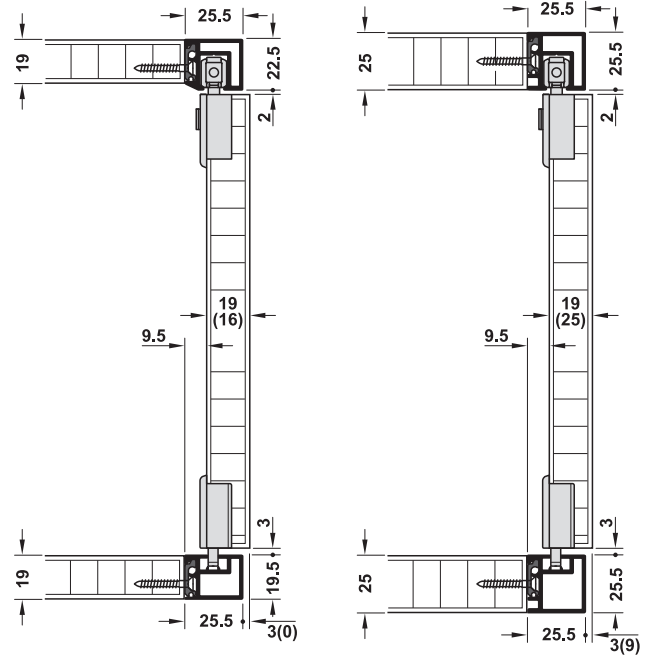
Classic 20 IF R

For door weights up to 20 kg



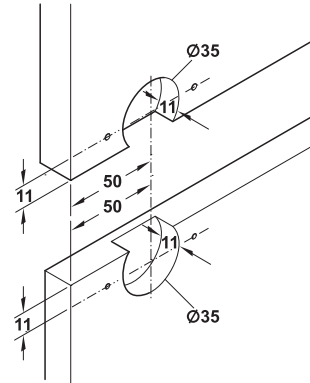
smuso
...soft & silent

Installation dimensions

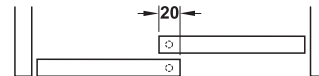


- Door height: max. 1,400 mm
- Door width: max. 1,250 mm
- Door thickness: 16 – 19 mm
- Height adjustment: ± 1.5 mm on running gear using adjusting wheel
- Material: Housing, running gear and guide: Plastic
- Running gear: Top running, 4 rollers
- Running gear guided by: Friction bearing mounted roller: Plastic, axle: Steel
- Door stop: At top with clip-in stopper or soft and self closing mechanism for sliding into top running track, at bottom with soft closing mechanism in guide track
- Installation: Housing for screw fixing, running gear and guide without tools (quick fixing system)

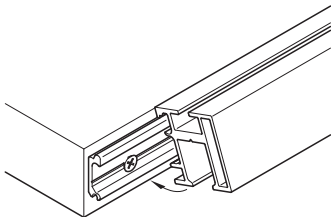
Drilling pattern



Door overlap



Track installation



→ **Set**

smuso
...soft & silent

	Cat. No.
For 1 door, with clip-in stopper, with installation instructions	402.32.000
For 1 door, with soft and self closing mechanism 20 kg, with installation instructions	402.32.001

Packing: 1 set

Order reference

Please order running and guide tracks separately.

→ **Set components**

	For 1 door	Material	Colour
Housing, for screw fixing	2 pieces	Plastic	Black
Running gear with friction bearings, quick fixing by inserting with clip	2 pieces	Plastic	Black
Running gear with soft and self closing mechanism and friction bearings, quick fixing by inserting with clip	2 pieces	Plastic	Black
Clip-in door stopper, for running tracks	2 pieces	Plastic	Black
Door stopper for soft and self closing mechanism, for running tracks	2 pieces	Plastic	Black
Bottom door stopper, for bottom guide track	2 pieces	Plastic	Black
Guide, for screw fixing to door	2 pieces	Plastic	Black
Mounting aid	1 piece	Plastic	Red

Packing: 1 piece

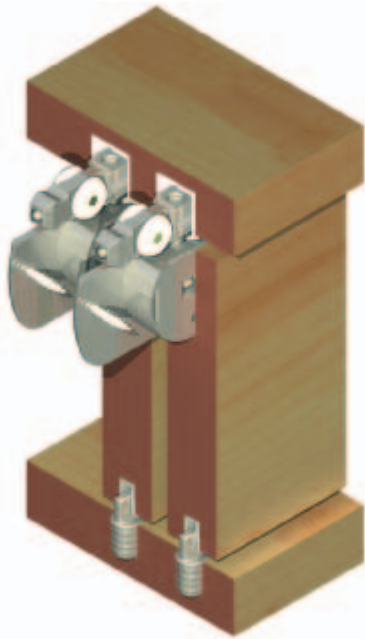
→ **Tracks and accessories**

		Length	Cabinet top thickness	Material	Finish/colour	Packing piece	Cat. No.
Single top running track, for clipping onto mounting rail on top panel 19 mm		2.5 m	19 mm	Aluminium	Anodized, silver coloured	1	402.32.602
		3.5 m					402.32.603
Single top running and guide track, for clipping onto mounting rail on shelf 19 mm		2.5 m	19 mm	Aluminium	Anodized, silver coloured	1	402.32.612
		3.5 m					402.32.613
End caps left and right, for running and guide track 19 mm	-	-	-	Plastic	Grey	1 x right	402.32.402
						1 x left	402.32.403
Single bottom guide track, for clipping onto mounting rail on base panel 19 mm		2.5 m	19 mm	Aluminium	Anodized, silver coloured	1	402.32.802
		3.5 m					402.32.803
End cap, for guide track 19 mm	-	-	-	Plastic	Grey	1	402.32.401
Single top running track, for clipping onto mounting rail on top panel 25 mm		2.5 m	25 mm	Aluminium	Anodized, silver coloured	1	402.32.622
		3.5 m					402.32.623
Single top running and guide track, for clipping onto mounting rail on shelf 25 mm		2.5 m	25 mm	Aluminium	Anodized, silver coloured	1	402.32.632
		3.5 m					402.32.633
Single bottom guide track, for clipping onto mounting rail on base panel 25 mm		2.5 m	25 mm	Aluminium	Anodized, silver coloured	1	402.32.812
		3.5 m					402.32.813
End caps left and right, for running and guide track 25 mm	-	-	-	Plastic	Grey	2 x right	402.32.404
						2 x left	402.32.405
Mounting rail for fixing running and guide tracks, for 19 and 25 mm top and base panels and shelves		2.5 m	25 mm	Aluminium	Bright	1	402.32.642
		3.5 m					402.32.643

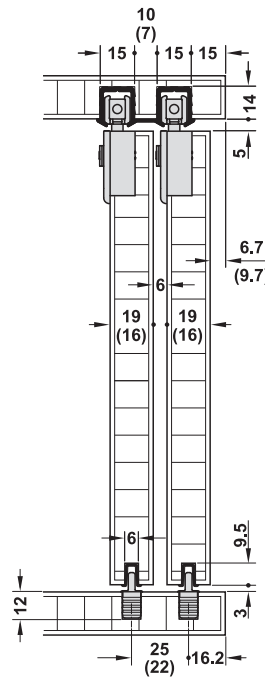
Classic 40 IF C

For door weights up to 40 kg

smuso
...soft & silent



Installation dimensions

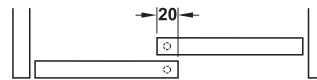


- Door height: max. 2,200 mm
- Door width: max. 1,250 mm
- Door thickness: 19 – 25 mm
- Height adjustment: ±1.5 mm on running gear using adjusting wheel
- Material: Housing, running gear and guide: Plastic
- Running gear: Top running, 4 rollers
- Running gear guided by: Ball bearing mounted, plastic coated rollers, steel axle
- Door stop: At top with clip-in stopper or soft and self closing mechanism for sliding into top running track
- Installation: Housing for screw fixing, running gear for clip fixing and screw fixing, guide for press fitting in base panel or screw fixing

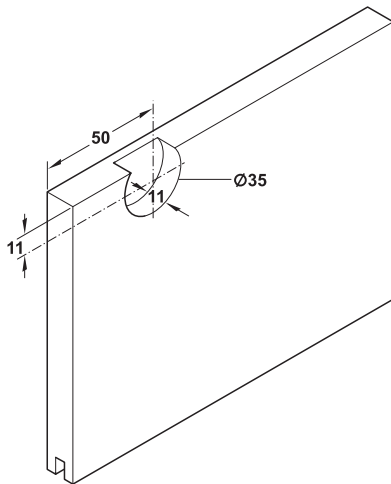
The single top running track can be installed by

- screw fixing into groove or
- clamping and gluing into groove

Door overlap



Drilling pattern for running gear



→ **Set**

smuso
...soft & silent

	Cat. No.
For 2 doors, with clip-in stopper, with installation instructions	402.30.002
For 2 doors, with soft and self closing mechanism 40 kg, with installation instructions	402.30.003

Packing: 1 set

Order reference

Please order running and guide tracks separately.

→ **Set components**

		For 2 doors	Material	Colour	Cat. No.
Housing, for screw fixing		4 pieces	Plastic	Black	402.30.100
Running gear with ball bearing, for clipping into housing		4 pieces	Plastic	Black	402.30.101
Running gear with soft and self closing mechanism and ball bearing, for clipping into housing		4 pieces	Plastic	Black	402.30.102
Clip-in door stopper, for running tracks		4 pieces	Plastic	Black	402.30.300
Door stopper for soft and self closing mechanism, for running tracks		4 pieces	Plastic	Black	402.30.301
Guide, for press fitting		2 pieces	Plastic	Black	402.30.200

Packing: 1 piece

→ **Tracks and accessories**

		Length	Cabinet top thickness	Material	Finish/colour	Cat. No.
Single top running track, for press fitting and gluing into 15 mm groove		2.5 m	min. 19 mm	Aluminium	Bright	402.30.602
		3.5 m				402.30.603
Double top running track, for press fitting and gluing into 15 mm groove, for door thickness 19 mm		2.5 m	min. 19 mm	Aluminium	Bright	402.30.612
		3.5 m				402.30.613
Single top running track, for screw fixing with countersunk chipboard screws Ø 2.5 mm		2.5 m	min. 19 mm	Aluminium	Silver coloured anodized	402.30.622
		3.5 m				402.30.623
Double top running track, for screw fixing with countersunk chipboard screws Ø 2.5 mm, for door thickness 19 mm		2.5 m	min. 19 mm	Aluminium	Silver coloured anodized	402.30.632
		3.5 m				402.30.633
Single bottom guide track, ribbed, for press fitting and gluing into 6 mm groove		2.5 m	min. 19 mm	Plastic	Grey	402.30.802
		3.5 m				402.30.803

Packing: 1 piece

Highlights 2011, HDE-en, 05/11; Dimensional data not binding. We reserve the right to alter specifications without notice.

→ Set

smuso
...soft & silent

	Cat. No.
For 1 door, with clip-in stopper, with installation instructions	402.32.002
For 1 door, with soft and self closing mechanism 40 kg, with installation instructions	402.32.003

Packing: 1 set

Order reference

Please order running and guide tracks separately.

→ Set components

	For 1 door	Material	Colour
Housing, for screw fixing	2 pieces	Plastic	Black
Running gear with ball bearing, quick fixing by inserting with clip	2 pieces	Plastic	Black
Running gear with soft and self closing mechanism and ball bearing, quick fixing by inserting with clip	2 pieces	Plastic	Black
Clip-in door stopper, for running tracks	2 pieces	Plastic	Black
Door stopper for soft and self closing mechanism, for running tracks	2 pieces	Plastic	Black
Bottom door stopper, for bottom guide track	2 pieces	Plastic	Black
Guide, for screw fixing to door	2 pieces	Plastic	Black
Mounting aid	1 piece	Plastic	Red

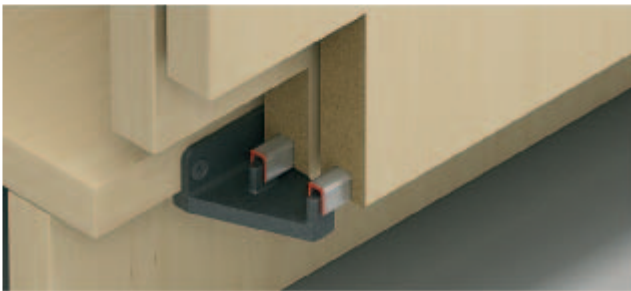
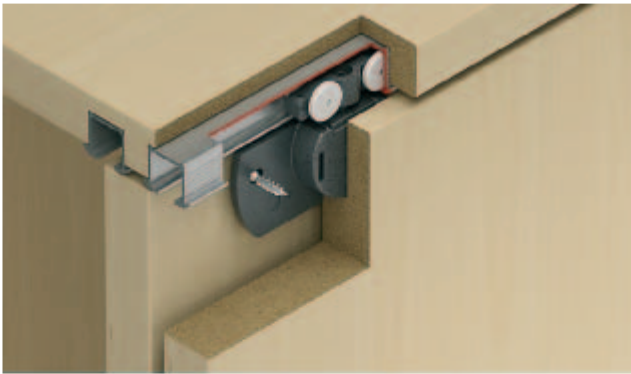
Packing: 1 piece

→ Tracks and accessories

	Length	Cabinet top thickness	Material	Finish/colour	Packing piece	Cat. No.
Single top running track, for clipping onto mounting rail on top panel 19 mm	2.5 m	19 mm	Aluminium	Anodized, silver coloured	1	402.32.602
	3.5 m					402.32.603
Single top running and guide track, for clipping onto mounting rail on shelf 19 mm	2.5 m	19 mm	Aluminium	Anodized, silver coloured	1	402.32.612
	3.5 m					402.32.613
End caps left and right, for running and guide track 19 mm	–	–	Plastic	Grey	1 x right	402.32.402
	–	–			1 x left	402.32.403
Single bottom guide track, for clipping onto mounting rail on base panel 19 mm	2.5 m	19 mm	Aluminium	Anodized, silver coloured	1	402.32.802
	3.5 m					402.32.803
End cap, for guide track 19 mm	–	–	Plastic	Grey	1	402.32.401
Single top running track, for clipping onto mounting rail on top panel 25 mm	2.5 m	25 mm	Aluminium	Anodized, silver coloured	1	402.32.622
	3.5 m					402.32.623
Single top running and guide track, for clipping onto mounting rail on shelf 25 mm	2.5 m	25 mm	Aluminium	Anodized, silver coloured	1	402.32.632
	3.5 m					402.32.633
Single bottom guide track, for clipping onto mounting rail on base panel 25 mm	2.5 m	25 mm	Aluminium	Anodized, silver coloured	1	402.32.812
	3.5 m					402.32.813
End caps left and right, for running and guide track 25 mm	–	–	Plastic	Grey	2 x right	402.32.404
	–	–			2 x left	402.32.405
Mounting rail for fixing running and guide tracks, for 19 and 25 mm top and base panels and shelves	2.5 m	25 mm	Aluminium	Bright	1	402.32.642
	3.5 m					402.32.643

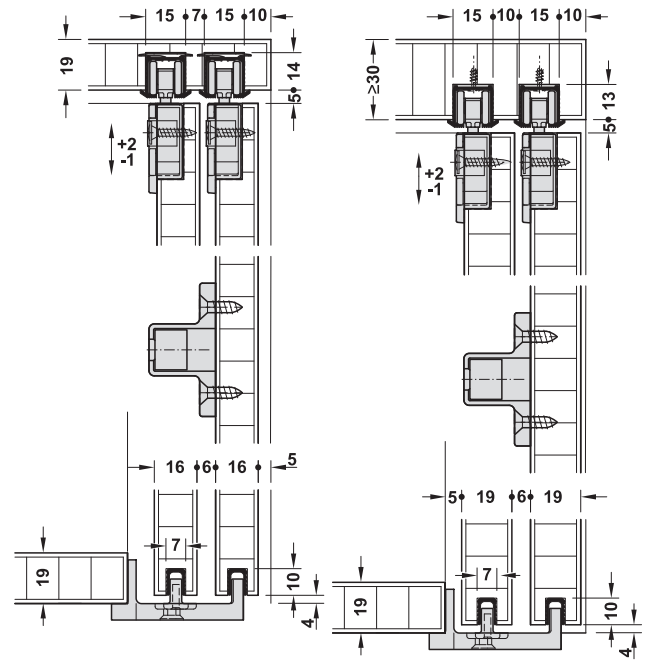
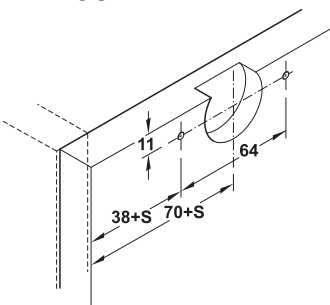
EKU Clipo 16 MF

For door weights up to 16 kg



- Door height: max. 1,400 mm
- Door width: max. 1,000 mm
- Door thickness: 16, 19 mm
- Height adjustment: +2/-1 mm on running gear using adjusting wheel
- Material: Housing, running gear and guide: Plastic
- Running gear: Top running, 2 rollers
- Running gear friction bearing mounted roller: Plastic, axle: Steel
- Door stop: Top stopper, with retainer for sliding into single top running track
- Installation: Housing for screw fixing, running gear without tools (quick fixing system), guide for screw fixing

Running gear installation



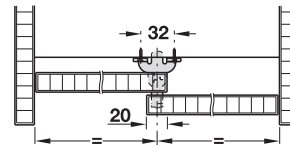
Door thickness 16 mm

Door thickness 19 mm

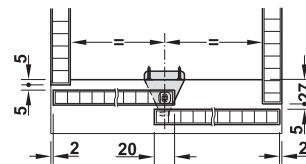
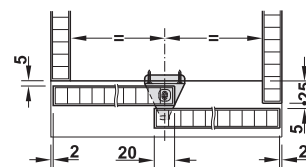
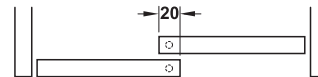
The single top running track can be installed by

- screw fixing into groove or
- clamping into groove with swivel lugs

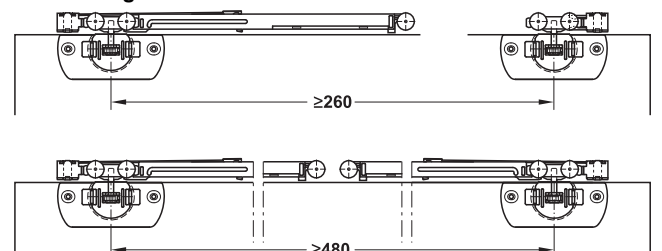
Guide installation



Door overlap



Soft closing mechanism installation



→ Set

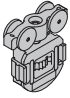
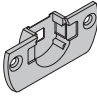
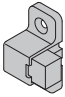
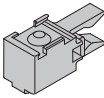
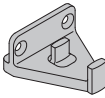
	Cat. No.
For 2 doors, with installation instructions	405.82.118
For 2 doors, with soft closing mechanism (2 pieces), with installation instructions	405.82.119

Packing: 1 piece

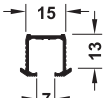
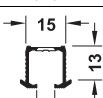
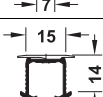
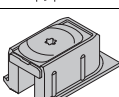
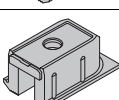
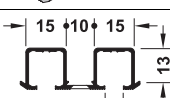
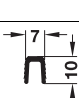

Order reference

Order one soft closing mechanism each for door widths of 480 mm and above.

→ Set components

		For 2 doors	Material	Finish/colour
Running gear		4 pieces	Plastic	Black
Housing		4 pieces	Plastic	Black
Door follower		1 piece	Plastic	Grey
Stopper		2 pieces	Plastic	Grey
Guide		1 piece	Plastic	Black

→ Tracks and accessories

		Cabinet top thickness mm	Material	Finish/colour	Packing	Length m	Cat. No.
Single running track, for glue fixing		min. 19	Aluminium	Bright	1 piece	2.5	405.87.051
						3.5	405.87.054
						6.0	405.87.057
Single running track, pre-drilled, for screw fixing		min. 30	Aluminium	Bright	1 piece	2.5	405.87.071
						3.5	405.87.074
						6.0	405.87.077
Single running track, with swivel lugs (not suitable for hardwood/MDF)		min. 19	Aluminium	Bright	1 piece	2.5	405.87.061
						3.5	405.87.064
						6.0	405.87.067
Track end piece, with swivel lugs (not suitable for hardwood/MDF)		–	Plastic	Grey	2 pieces	–	405.83.180
Track end piece, for screw fixing		–	Plastic	Grey	2 pieces	–	405.83.181
Double running track, pre-drilled, for screw fixing		min. 19	Aluminium	Bright	1 piece	2.5	405.90.041
						3.5	405.90.044
						6.0	405.90.047
Single bottom guide track, ribbed, for press fitting and glue fixing into 7 mm groove		–	Plastic	Anthracite	1 piece	2.5	405.98.517
						3.5	405.98.527
						6.0	405.98.561
Soft closing mechanism for retrofitting or for soft closing on both sides, with installation instructions		–	Plastic	Grey	1 set	–	405.10.070

Highlights 2011, HDE-en, 05/11; Dimensional data not binding. We reserve the right to alter specifications without notice.

Vertico E 75 IF W

For up to 75 kg total weight of door leaves, flush fitted, for 1, 2 or 3 doors



A

- For hatches, counters, home offices, wardrobes or for concealing the TV
- Opens quickly and reliably
- Opens with remote control or finger-tip switch

- Door height: max. 1,000 mm with 1 door, max. 750 mm with 2 doors, max. 500 mm with 3 doors
- Door width: max. 3,000 mm
- Door thickness: 18, 22, 25 or 28 mm
- Input voltage: 230 V

Order reference

Following components must always be ordered:

- 1 Set of shaft and safety tracks
- 1 Set of motor and control unit
- 1 Set of guide rollers and follower brackets

Optional:

- 1 Pair of guide tracks

Note

Guide tracks are available in fixed dimensions or can be cut by customer. The CAD data for the recesses are available at www.hafele.com.

→ **Shaft and safety tracks**

For internal cabinet width mm	Door width mm	Dim. A mm	Cat. No.
670 – 800	666 – 796	350	403.19.030
801 – 1000	797 – 996	550	403.19.031
1001 – 1200	997 – 1196	750	403.19.032
1201 – 1400	1197 – 1396	950	403.19.033
1401 – 1600	1397 – 1596	950	403.19.034
1601 – 1800	1597 – 1796	1150	403.19.035
1801 – 2000	1797 – 1996	1150	403.19.036
2001 – 2200	1997 – 2196	1150	403.19.037
2201 – 2400	2197 – 2396	1350	403.19.038
2401 – 2600	2397 – 2596	1350	403.19.039
2601 – 2800	2597 – 2796	1550	403.19.040
2801 – 3000	2797 – 2996	1550	403.19.041

Packing: 1 set

→ **Motor and control unit**

- Version: With 4 m cable between motor and control unit

Note

For use without remote control 2 finger-tip switches with cabling are required for „up“ and „down“ and must be provided on site.

Installation reference

Top fascia must be removable.

	Cat. No.
Without remote control	403.19.000
With remote control	403.19.001

Packing: 1 set

→ **Guide rollers and follower brackets**

	Cat. No.
For 1 door	403.19.023
For 2 doors	403.19.024
For 3 doors	403.19.025

Packing: 1 set

→ **Guide track with fixed dimensions**

Note

The CAD data for the recesses are available at www.hafele.com.

	Cat. No.
For 1, 2 or 3 doors	403.19.050

Packing: 1 pair

Order reference

When ordering guide track with fixed dimensions please specify **additionally to Cat. No.** (see drawing 8.215 D):

- Number of doors
- Inner height (B)
- Fascia height (C)
- Fascia thickness (D)
- Door height (E)
- Door thickness (F)
- White (11 mm thick), black (12 mm thick)

→ **Accessories**

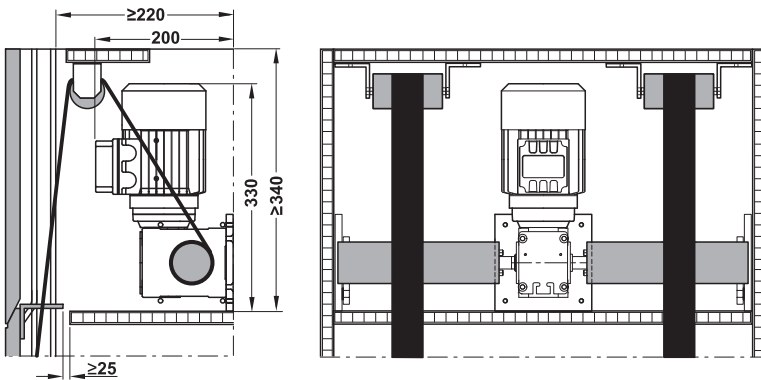
	Cat. No.
Extension cable for control unit, length 4 m	403.19.022
Antenna	403.19.009

Packing: 1 piece

Note

The antenna is required where the control unit is not in the same room.

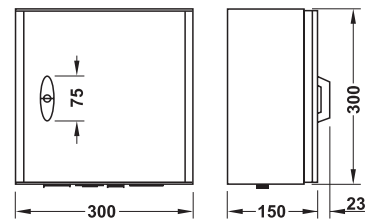
Space requirement for motor, shaft and belts with guide rollers



Note

Loss of space inside the cabinet depends on the fascia or door height. If the doors are to be concealed by the fascia, then the fascia must be at least 30 mm higher than the door leaf.

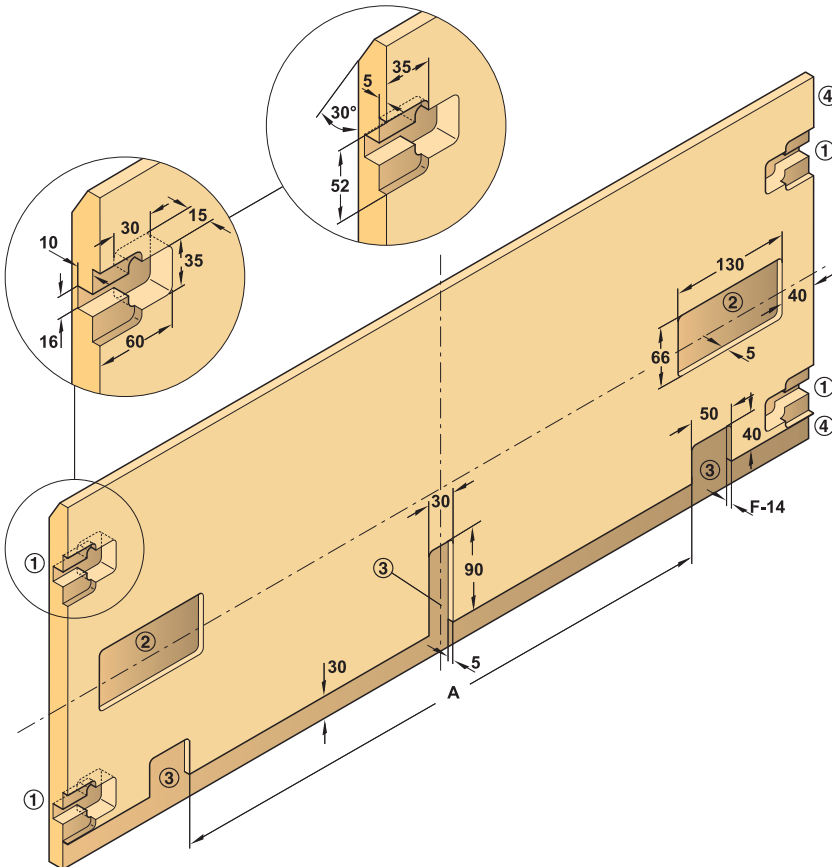
Control unit



Note

Do not place the control unit inside the closed cabinet. It must be accessible in the event of an emergency or power failure.

Drilling pattern for door

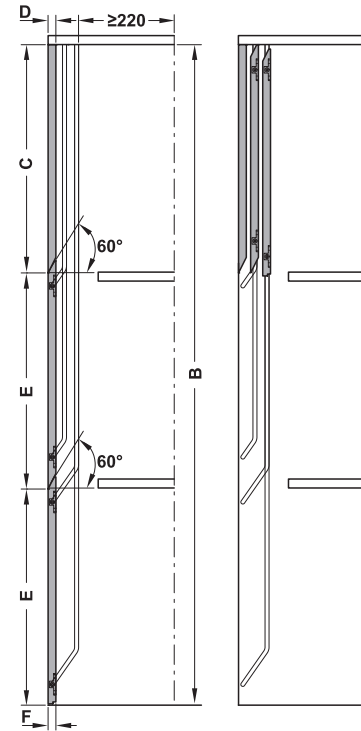


Wood preparation details:

- First, lower door leaf: Recess ①, ② and ③
- Second and third door leaf: Only recess ①
- Please refer to the CAD data for dimension ④.

Note

Installation instructions and CAD data for the recesses are available at www.hafele.com.



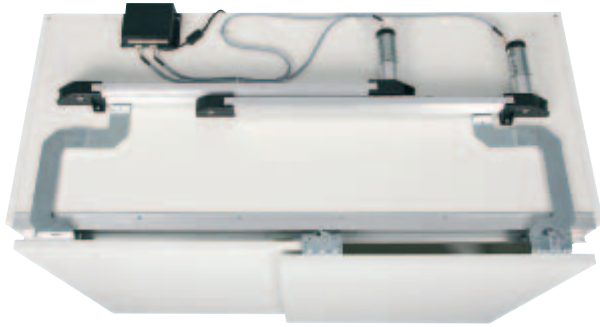
2 doors closed

2 doors open

- Inner height (B)
- Fascia height (C)
- Fascia thickness (D)
- Door height (E)
- Door thickness (F)

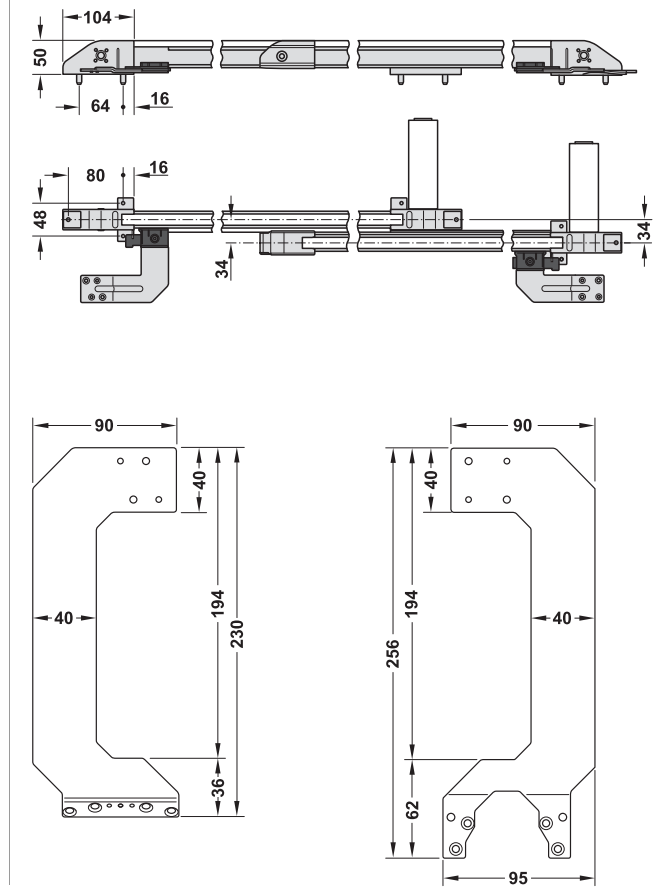
e-drive

Electric universal drive for sliding doors



- For all Vorfront fittings
- Can be retrofitted
- A gentle push opens and closes the doors silently

- Version: For 2 doors, plug-and-go connection
- Cabinet width: 1,600–2,400 or 2,400–4,000 mm
- Door weight: 20–100 kg
- Nominal voltage: 100–240 V AC, 50/60 Hz, standby power < 1 W
- Wattage: 25.0 W
- Voltage: 12 V
- Integrated safety shut-off
- Opening speed 0.2 m/sec.
- Automatic closing after two minutes
- A gentle push opens one door and closes the other one, if open



→ Set

	Cabinet width	Cat. No.
For 2 doors, with installation instructions	1600-2400 mm	405.15.000
	2400-4000 mm	405.15.001

Packing: 1 piece

Order reference

Connecting levers for fitting not supplied, please always order separately.

→ Connecting levers

		Suitable for	Material	Cat. No.
Connecting levers		Classic 50 VF P	Steel	405.15.102

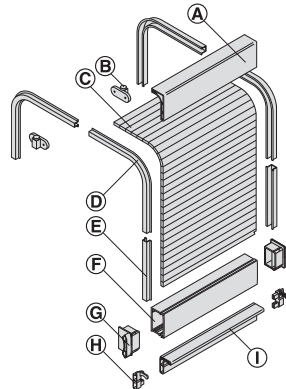
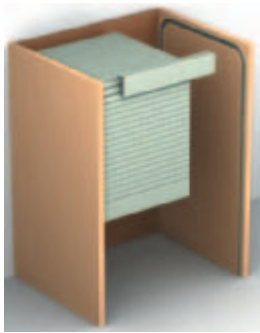
Packing: 1 set

→ Running gears

		Distance	Suitable for	Material	Cat. No.
Running gear, for connecting the rear door to the e-drive, with door lift-up safeguard and support bracket		9.85 mm	Classic 50 VF P	Steel, roller: Plastic	405.15.210
Running gear, for connecting the front door to the e-drive, with door lift-up safeguard		52 mm	Classic 50 VF P	Steel, roller: Plastic	405.15.211
		57 mm			405.15.212

Tambour door

With guide track and bend



- **A** Front panel
- **B** End stop
- **C** Roller shutter
- **D** 90° bend
- **E** Guide track
- **F** Lock strip
- **G** Lock strip guide
- **H** Handle profile guide
- **I** Handle profile

- Running direction: Vertical or horizontal
- Mounting: For inset installation
- Installation: Guide track and bend for groove mounting
- Optional with lock strip or handle profile

For cabinet dimensions

Running direction	Internal cabinet height	Internal cabinet width
Vertical	max. 1600 mm	max. 800 mm
Horizontal	max. 1200 mm	max. 1600 mm

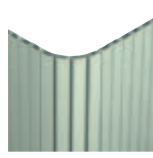
Order reference

- Wood effect and all plain colours available on request
- Fixed sizes available from minimum order quantities of 3,000 m with tambour door slats and 100 m² with roller shutters

→ **Roller shutter**



Vertical running direction



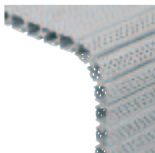
Horizontal running direction

- Version: Stabilised with cotton adhesive tape

Running direction	Colour	Dimensions (W x L) mm	Cat. No.
Vertical	White	800 x 1620	442.51.721
	Grey		442.51.521
Horizontal	White	1200 x 1620	442.51.711
	Grey		442.51.511

Packing: 1 piece

→ **Acoustic roller shutter, soundproofing**

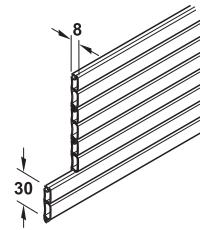


- Version: Stabilised with cotton adhesive tape, sound absorption coefficient without cabinet contents 0.45 "Delta Lw"

Running direction	Dimensions (W x L) mm	Grey	Silver coloured (aluminium effect)	White
Vertical	800 x 1620	442.51.561	442.51.961	442.51.761
Horizontal	1200 x 1620	442.51.552	442.51.952	442.51.752

Packing: 1 piece

→ **Tambour door slats**



33 tambour door slats = 1,000 mm

- Area of application: For assembling or extending roller shutters, for exchanging tambour door slats

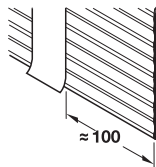
Installation

- Join tambour door slats together
- Shorten tambour door slats and stick on cotton adhesive tape

Colour	Cat. No.
White	442.50.701
Grey	442.50.501
Silver coloured (aluminium effect)	442.20.901

Packing: 2.3 m

→ **Cotton adhesive tape**

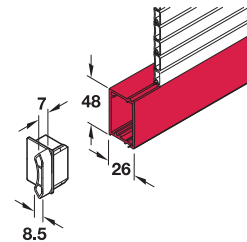
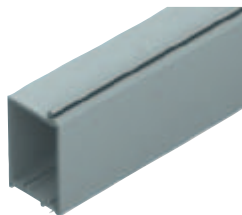


- Area of application: For stabilising roller shutters assembled from slats
- Installation: For glue fixing

Length m	Width mm	Cat. No.
10	38	442.01.087

Packing: 1 roll

→ **Lock strip**



- Area of application: For opening and closing the roller shutter, for installing commercial tambour door locks, inset handles or handles
- Version: With soft plastic lip for quiet closing and sealing
- Installation: For inserting into roller shutter
- Lock strip cannot be pushed round the bend

Installation

- Shortening of the lock strip: Internal cabinet width – 4.5 mm
- With lock strips up to 500 mm long, fit inset handle or handle and lock in the centre of the lock strip
- With lock strips longer than 500 mm, fit two inset handles or handles at the same distance to outer edge

Colour	Cat. No.
White	442.58.701
Grey	442.58.501
Silver coloured (aluminium effect)	442.26.901

Packing: 2.3 m

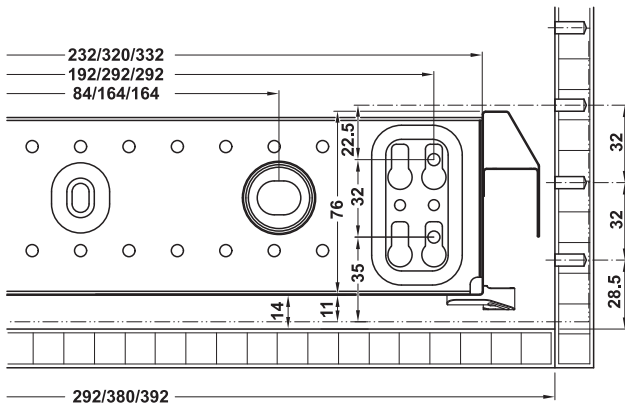
System drawer

For 292, 380 and 392 mm installation width



- Area of application: For installation in office and typewriter desks
- Material: Steel
- Finish: Plastic coated
- Version: With inner row of holes at intervals of 10 mm for interior division, runner cover with angled apron
- Installation: For suspending in single and progressive full extensions

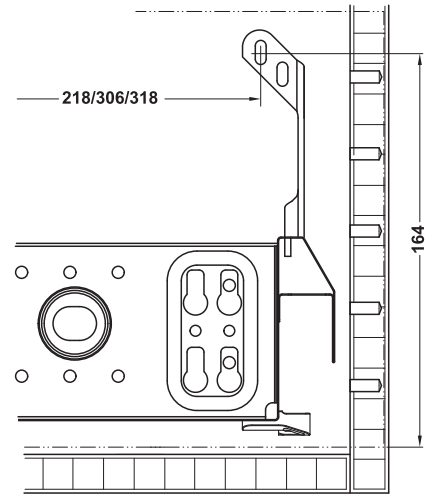
Drilling pattern



Installation depth mm	Inner drawer dimensions (W x D x H) mm	Packing pieces	Black, RAL 9011	White aluminium, RAL 9006
For installation width 292 mm				
530	232 x 483 x 74	1	429.52.326	429.52.226
730	232 x 683 x 74	40	429.52.327	429.52.227
For installation width 380 mm				
530	320 x 483 x 74	1	429.52.336	429.52.236
		40	429.52.335	429.52.235
730	320 x 683 x 74	1	429.52.338	429.52.238
		30	429.52.337	429.52.237
For installation width 392 mm				
380	332 x 350 x 74	1	429.52.342	429.52.242
		60	429.52.343	429.52.243
530	332 x 483 x 74	1	429.52.346	429.52.246
		40	429.52.345	429.52.245
730	332 x 683 x 74	1	429.52.348	429.52.248
		30	429.52.347	429.52.247

→ **Drawer front support**

For system drawer



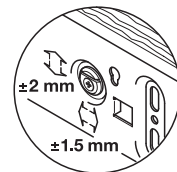
- Area of application: Mandatory for panel heights from 187 mm and above
- Material: Steel
- Finish: Plastic coated
- Installation: For inserting into system drawer on the left/right

Colour	Cat. No.
White aluminium, RAL 9006	429.23.248
Black, RAL 9011	429.23.348

Packing: 1 or 10 pairs

→ **Eccentric disk**

For system drawer



Drawer panel adjustment viewed from the inside



- Area of application: For adjusting the drawer panel
- Material: Plastic
- Installation: For inserting into front of system drawer

Colour	Cat. No.
Black	343.33.003

Packing: 10 or 100 or 1000 pieces

Drawer runners

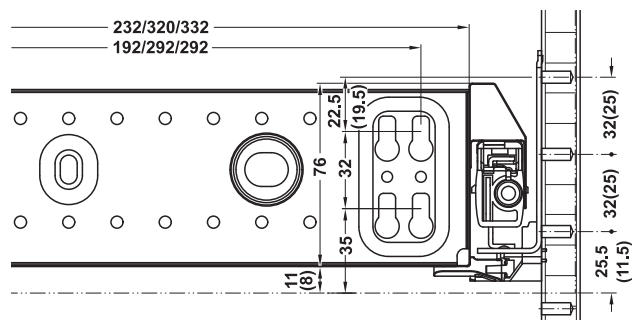
Single extension for system drawer

matrix

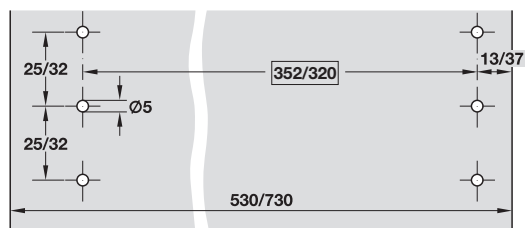


- Area of application: For installation in office and typewriter desks
- Load bearing capacity: 25 kg/pair
- Material: Steel
- Finish: Galvanized
- Version: Concealed dynamic runners with self closing mechanism on one side
- Installation: For screw fixing to side panel into System 25 or 32

Installation dimensions



Drilling pattern



Installation depth mm	Extension length mm	Cat. No.
530	376	429.53.920
730	528	429.53.930

Packing: 1 pair

Soft closing mechanism for retrofitting

For single extension and progressive full extension



Suitable for	Cat. No.
Installation depth 380, 530 and 730 mm	425.56.040

Packing: 1 piece

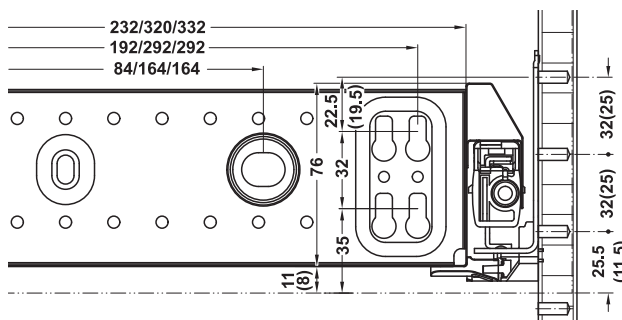
Drawer runners

Progressive full extension for system drawer

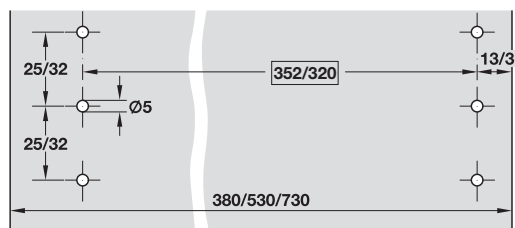


- Area of application: For installation in office and typewriter desks
- Load bearing capacity: 45 kg/pair
- Material: Steel
- Finish: Galvanized
- Version: Concealed dynamic runners with self closing mechanism on both sides
- Installation: For screw fixing to side panel into System 25 or 32

Installation dimensions



Drilling pattern



Installation depth mm	Extension length mm	Cat. No.
380	390	429.54.910
530	524	429.54.920
730	724	429.54.930

Packing: 1 pair

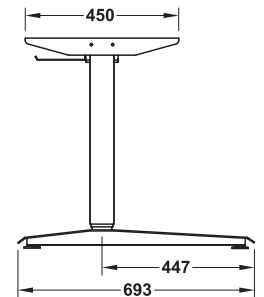
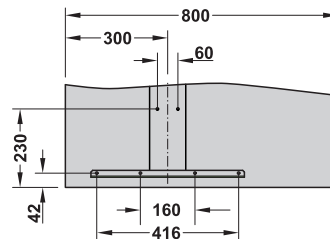
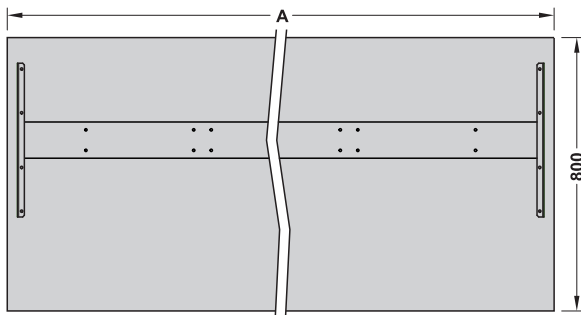
Idea E Motion Complete set
With continuous electric height adjustment



Desk frame complies with DIN EN 527/1 (issue 2000/1)



- Area of application: For workplaces with electric height adjustment
- Material: Steel, plastic coated
- Colour: White aluminium, RAL 9006
- Height adjustment: **Idea E Motion 500 = 725 – 1,225 mm (with table top thickness 25 mm), Idea E Motion 650 = 635 – 1,290 mm (with table top thickness 25 mm)**
- Version: With adjustable frames, for different desk widths, integrated cable tray in frame, all parts are symmetrically designed for right hand or left hand use
- Reduced stock keeping due to adjustable frames



→ **Idea E Motion 500**

Dim. A mm	Cat. No.
800 – 1000	633.30.221
1200 – 1400	633.30.222
1600 – 2000	633.30.223
2200 – 2400	633.30.224

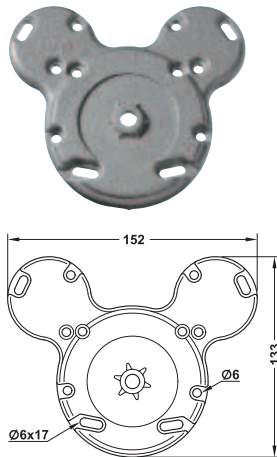
Packing: 1 piece

→ **Idea E Motion 650**

Dim. A mm	Cat. No.
800 – 1000	633.30.251
1200 – 1400	633.30.252
1600 – 2000	633.30.253
2200 – 2400	633.30.254

Packing: 1 piece

Straight
→ Cylindrical



- Area of application: For laminated table top thickness from 40 mm, reliable connection of leg with plate, for heavy-duty use
- Material: Glide: Plastic, screw-on plate: Zinc alloy
- Colour: Glide: Black, screw-on plate: Grey
- Height adjustment: +25 mm
- Installation: For screw fixing with screw-on plate



Supplied with
1 Table leg
1 Set of fixing material



Installation height mm	Diameter mm	Finish	Cat. No.
710	60	Stainless steel coloured	635.57.072
		Chrome plated polished	635.57.272
		Black	635.57.372
		White	635.57.772
		White aluminium, RAL 9006	635.57.972

Packing: 1 or 4 pieces

Order reference
Please order mounting tool separately.

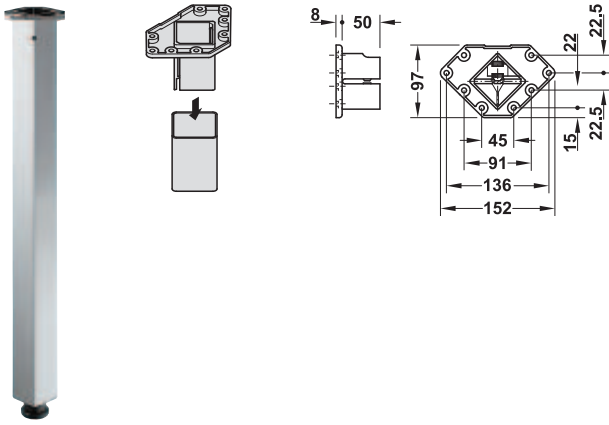
Mounting tool



Material	Finish	Cat. No.
Steel	Chrome plated	635.57.000

Packing: 1 piece

→ **Square**



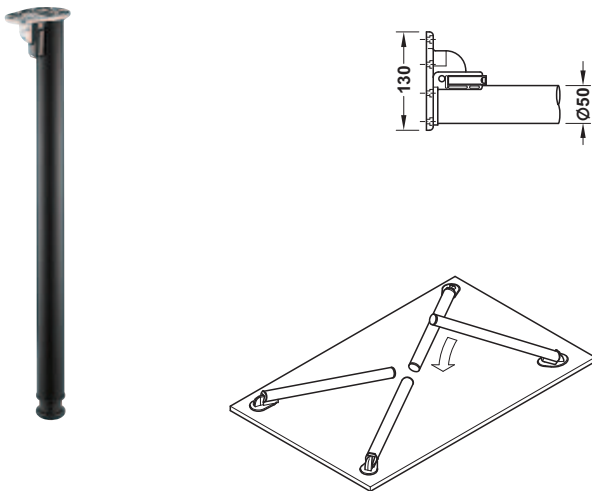
- Height adjustment: +25 mm



Installation height mm	Cross section mm	Finish/colour	Cat. No.
705	60 x 60	Chrome plated	635.59.206
		Nickel plated matt	635.59.606
		Clear lacquered, stainless steel coloured	635.59.006
		White aluminium, RAL 9006	635.59.906
		Black	635.59.306
		Aluminium grooved	635.59.106
		Aluminium, champagne coloured	635.59.406
		White matt	635.59.706

Packing: 4 pieces

→ **Cylindrical, folding**



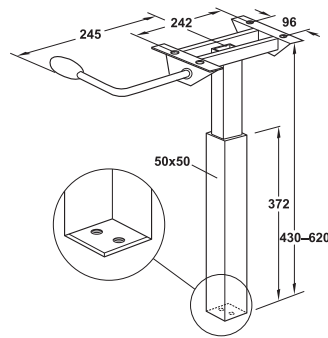
- Material: Folding mechanism: Zinc alloy
- Height adjustment: +15 mm



Installation height mm	Diameter mm	Finish/colour	Cat. No.
705	50	Chrome plated	635.64.206
		Stainless steel coloured	635.64.006
		White aluminium, RAL 9006	635.64.906
		Aluminium grooved	635.64.106
		Black	635.64.306

Packing: 4 pieces

Single column lift

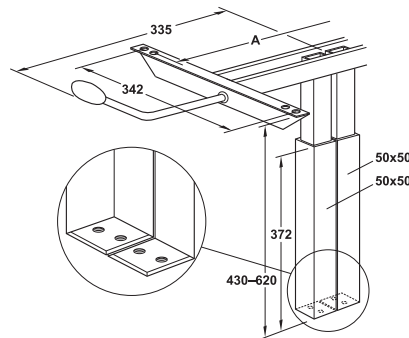
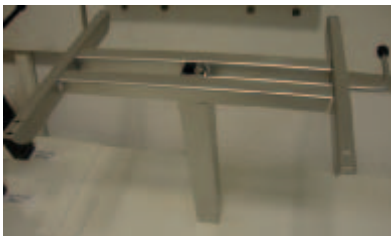


- Material: Steel
- Finish: Pearl silver
- Height adjustment: 190 mm with crank

Desk top weight	Cat. No.
up to 20 kg	638.50.500

Packing: 1 piece

Double column lift

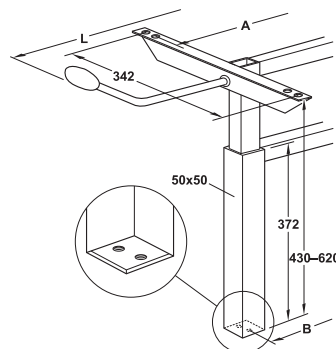
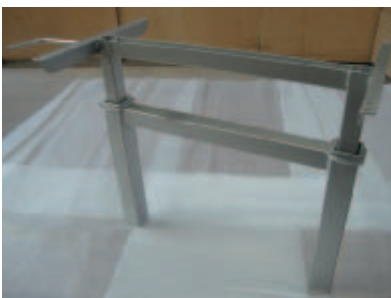


- Material: Steel
- Finish: Pearl silver
- Height adjustment: 190 mm with crank
- Dim. A: 445 mm

Desk top weight	Cat. No.
up to 20 kg	638.50.551
up to 40 kg	638.50.553

Packing: 1 piece

Two column lift



- Material: Steel
- Finish: Pearl silver
- Height adjustment: 190 mm with crank
- Pitch length B: 530 mm
- Dim. A: 585 mm
- Dim. L: 700

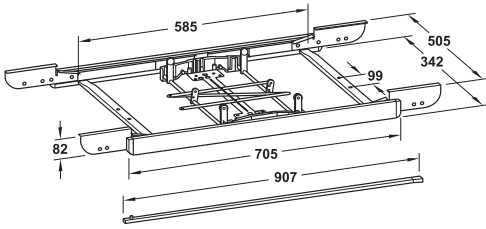
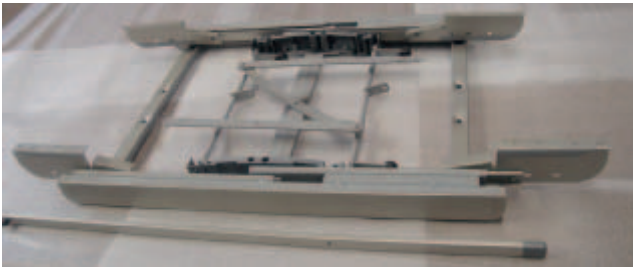
Desk top weight	Cat. No.
up to 20 kg	638.56.521
up to 40 kg	638.56.523

Packing: 1 piece

Note

The desk top height can be adjusted continuously by operating the crank with one hand. The built-in gas loaded spring provides convenient height adjustment. Returning the crank to its original position locks the lift at any height.

Automatic table leaf extension fitting



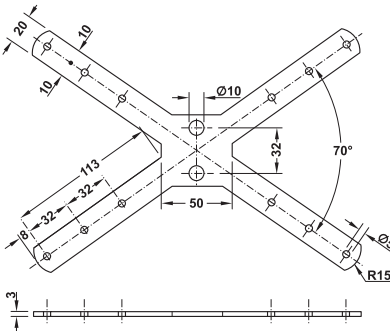
- Area of application: For rectangular split coffee tables with synchronous extension using arm assembly, also suitable for table lift base with two columns
- Version: Mechanism lifts the centre leaf automatically, table top with soft lifting and soft lowering action
- Material: Steel
- Finish: Pearl silver
- For table top thickness: 23–28 mm
- For table top width: 700–800 mm
- For table top length: 1000–1,250 mm (not extended)
- Extension leaf width: 404 mm
- Installation: On subframe with pitch length 530 mm

	Cat. No.
Automatic table leaf extension fitting	642.45.510

Packing: 1 piece

Foot plates for table lift bases

→ For single column lift

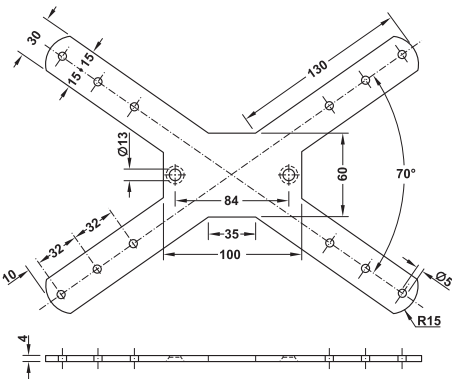


- Material: Steel
- Finish: Yellow chromated
- Version: With four feet
- Area of application: For stabilising the lift base

	Cat. No.
Foot plate for single column lift	638.50.590

Packing: 1 piece

→ For double column lift

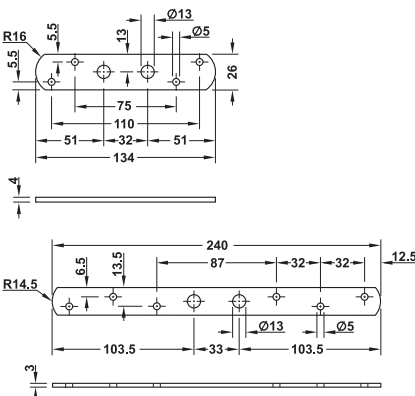


- Material: Steel
- Finish: Yellow chromated
- Version: With four feet
- Area of application: For stabilising the lift base

	Cat. No.
Foot plate for double column lift	638.50.591

Packing: 1 piece

→ For two column lift

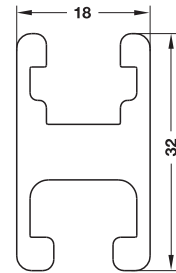


- Material: Steel
- Finish: Yellow chromated
- Version: With four feet
- Area of application: For stabilising the lift base

Length mm	Cat. No.
134	638.56.590
240	638.56.591

Packing: 1 piece

Aluminium frame with LED light



- Version: Frame and plastic panel white matt (for optimum light refraction)
- Material: Aluminium
- Colour: RAL 9006 (special colours on request)

Light colour	Cat. No.
Warm white	563.17.900
Cool white	563.17.901
Red	563.17.902
Blue	563.17.903
Green	563.17.904
Yellow	563.17.905
RGB colour change	563.17.906

Order reference

The following additional information is required when ordering:

- Frame size (outer dimensions W x H mm)
- Position of drill holes for fittings as per drawing
- Position of knob/handle drillings as per drawing

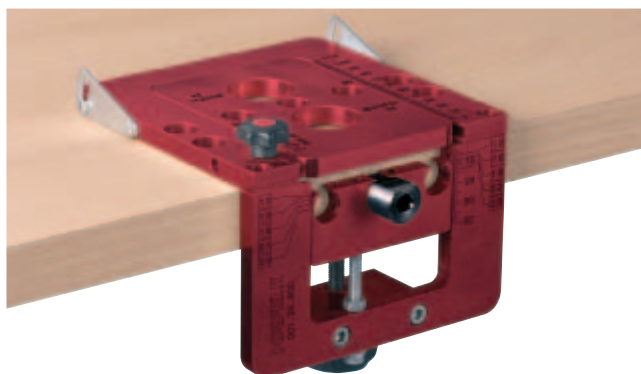
Wall mirror with LED light



- For impressive lighting accents in bathrooms and wardrobes
- Aluminium framed, silver coloured, for simultaneous use as touch switch
- 2 x 24 LED's, each 580 mm long, IP20
- 500 x 725 mm
- Mains supply prepared for direct connection

	Cat. No.
Wall mirror with LED light	805.62.950

Red Jig Drilling jig



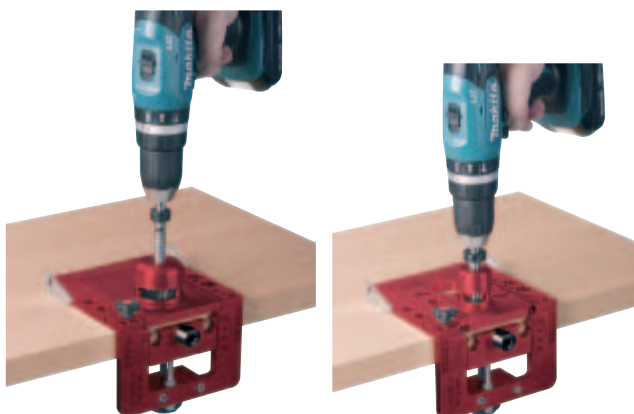
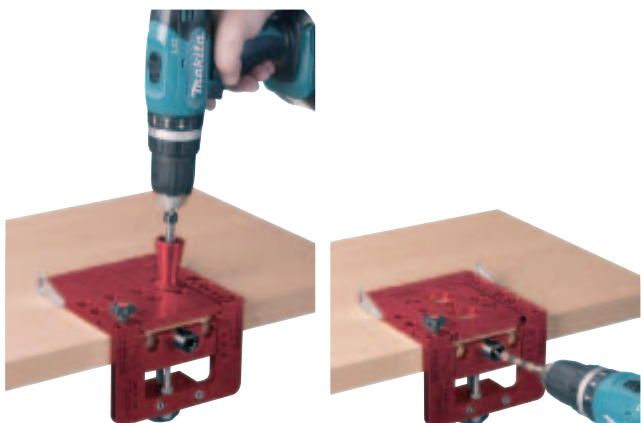
- The newly developed drilling jig for furniture connectors and hinges from Häfele
- Exact and accurate drilling is provided by a new depth gauge system
- Replaceable drill guides allow a quick change of drilling patterns
- Adapted to 32 mm intervals
- Front edge holes with pitch lengths from 6 to 30 mm are possible

- Material: Aluminium anodized
- With lasered measuring scale for aligning the insert plates

	Cat. No.
Drilling jig set with case	001.25.810

Supplied with:

- 1 Basic jig with stop plates and universal insert plate for front edge drill hole, continuously adjustable
- 1 Drill guide for Rafix 20, Rafix 20 Tab, Pushfix, Onefix
- 1 Drill guide for Rafix 30
- 1 Double drill guide for Minifix 12 and 15
tightening distance 24 and 34 mm
- 1 Depth gauge 15, up to Ø 12 mm
- 1 Depth gauge 32, up to Ø 25 mm
- 1 Depth gauge 48, up to Ø 40 mm
- 1 Special multi-spur drill bit HM Ø 10
- 1 Special multi-spur drill bit HM Ø 12
- 1 Special multi-spur drill bit HM Ø 15
- 1 Special multi-spur drill bit HM Ø 20
- 1 Special multi-spur drill bit HM Ø 30
- 1 Drill bit Ø 8.0 mm with depth stop



Accessories

Drill guides	Cat. No.
For Maxifix 35	001.25.640
For Maxifix 55	001.25.643
Series drilled holes 37 / 60 mm	001.25.620
Tab 18	001.25.630
BKV 30	001.25.635
Confir-Plan	001.25.645
Optimus	001.25.647
Solo 32 (base and side panel)	001.25.665

Drill guides	Cat. No.
Stablofix	001.25.667
Aximat 100	001.25.650
Interval drill guide for concealed hinges 26, 35, 40, with exposed axle, flap hinges	001.25.680
Cup fixing template 48 / 6	001.25.736
Cup fixing template 52 / 5.5	001.25.735
Cup fixing template	001.25.737

Depth gauges

With spring and depth stop

	Cat. No.
Depth gauge 15 – up to max. drill bit Ø 12.0 mm	001.25.770
Depth gauge 32 – up to max. drill bit Ø 25.0 mm	001.25.771
Depth gauge 48 – up to max. drill bit Ø 40.0 mm	001.25.772

Detailed information can soon be found on the catalogue page

Europe**Headquarters Germany**

Häfele GmbH & Co KG
72202 Nagold
Phone +49 (0)74 52 / 95-0
Fax +49 (0)74 52 / 95-2 00
info@haefe.de

Austria

Häfele Austria GmbH
5322 Hof bei Salzburg
Phone +43 (0)62 29 / 3 90 39-0
Fax +43 (0)62 29 / 3 90 39-30
info@haefe.at

Belgium

Häfele Belgium N. V.
9240 Zele
Phone +32 (0)52 / 45 01 14
Fax +32 (0)52 / 45 01 51
info@haefe.be

Czech Republic & Slovakia

Häfele Czech & Slovakia s.r.o.
140 00 Praha 4
Phone +42 02 41 09 50 00
Fax +42 02 41 09 50 01
info.cz@haefe.de

Croatia

Häfele GmbH & Co KG
Representative in Kroatien
10090 Zagreb
Phone +38 51 / 3 43 57 40
Fax +38 51 / 3 43 57 41
info-croatia@haefe.com

Denmark

Häfele Danmark A/S
7800 Skive
Phone +45 97 / 51 15 22
Fax +45 97 / 51 12 13
info@haefe.dk

Finland

Häfele GmbH & Co KG
Sivuliike Suomessa
15200 Lahti
Phone +3 58 (0)3 / 8 77 77-0
Fax +3 58 (0)3 / 8 77 77-88
info@haefe.fi

France

Häfele France s.à.r.l.
95157 Taverny Cédex
Phone +33 (0)1 / 30 40 54 50
Fax +33 (0)1 / 30 40 54 61
info@haefe.fr

Great Britain

Häfele U.K. Ltd.
Rugby, Warks. CV211RD
Phone +44 (0)17 88 / 54 20 20
Fax +44 (0)17 88 / 54 44 40
info@haefe.co.uk

Greece

Häfele GmbH & Co KG
Information Office
15124 Maroussi
Phone +30 2 10 / 6 17 95 44
Fax +30 2 10 / 6 17 95 45
info@haefe.gr

Hungary

Häfele GmbH & Co KG
Representative in Hungary
1132 Budapest
Phone +36 (0)1 / 2 25 34 14
Fax +36 (0)1 / 2 02 01 82
info-hungary@haefe.com

Ireland

Häfele Ireland Ltd.
Kilcoole, Co. Wicklow
Phone +3 53 (0)1 / 2 87 34 88
Fax +3 53 (0)1 / 2 87 35 63
info@haefe.ie

Italy

Häfele Italia s.r.l.
20823 Lentate s.S. (MB)
Phone +39 03 62 / 57 74-1
Fax +39 03 62 / 57 74-4 77
info@haefe.it

Netherlands

Häfele Nederland BV
7333 NZ Apeldoorn
Phone +31 (0)55 / 5 38 46 00
Fax +31 (0)55 / 5 42 49 50
info@haefe.nl

Poland

Häfele Polska Sp. z o.o.
55-090 Długoleka
Phone +48 (0)71 / 3 15 32 42
Fax +48 (0)71 / 3 15 32 62
info@haefe.pl

Portugal

Häfele GmbH & Co KG
Escritorio de Vendas Portugal
4465-671 Leça de Balio
Phone +3 51 (0)22 / 9 47 55 96
Fax +3 51 (0)22 / 9 48 15 74
info-portugal@haefe.com

Romania

Häfele Romania S.R.L.
RO-300562 Timișoara
Phone +40 (0)2 56 / 30 61 72
Fax +40 (0)2 56 / 30 61 73
info@haefe.ro

Russia

Häfele Rus OOO
MKAD 14. km, Building 10
109429 Moscow
Phone +7 (495)7 87 / 07 85
Fax +7 (495)7 87 / 07 84
info@haefe.ru

Serbia

Häfele Serbia d.o.o
22330 Nova Pazova
Phone +3 81 22 / 32 55 55
Fax +3 81 22 / 32 59 99
info-serbia@haefe.com

Spain

Häfele Herrajes España S.L.
28923 Alcorcón-Madrid
Phone +34 91 / 6 44 80 21
Fax +34 91 / 6 44 80 28
info@haefe.es

Sweden

Häfele GmbH & Co KG
Tyskland Filial Sverige
55303 Jönköping
Phone +46 (0)46 36 / 18 00 88
Fax +46 (0)46 36 / 18 00 99
info@haefe.se

Switzerland

Häfele Schweiz AG
8280 Kreuzlingen
Phone +41 (0)71 / 6 86 82 20
Fax +41 (0)71 / 6 86 82 82
info@haefe.ch

Turkey

Häfele San. ve Tic. A.S.
34776, Ümraniye, Istanbul
Phone +90 (0)2 16 / 5 28 59 00
Fax +90 (0)2 16 / 5 28 59 30
info@haefe.com.tr

Ukraine

Häfele Ukraine LLC
80362 Kutykiv
Zhovkva District, Lviv Region
Phone +3 80 32 2 35 15 59
Fax +3 80 32 2 35 15 60
info@haefe.com.ua

Africa**South Africa**

Häfele South Africa (Pty) Ltd
Honeydew 2040
Phone +27 (0)11 / 7 96 81 00
Fax +27 (0)11 / 7 94 14 90
info@haefe.co.za

America**Argentina**

Häfele Argentina S.A.
B1611GFG-Don Torcuato-Buenos Aires
Phone +54 (0)11 / 63 47 26 00
Fax +54 (0)11 / 63 47 26 26
info@haefe.com.ar

Brazil

Häfele Brasil Ltda.
Piraquara-Paraná, CEP: 83302-000
Phone +55 (0)41 / 30 34 - 81 50
Fax +55 (0)41 / 30 34 - 81 52
info@haefe.com.br

Canada

Häfele Canada Inc.
Burlington, ON L7L 6A8
Phone +1 9 05 / 3 36 66 08
Fax +1 9 05 / 3 19 44 46
info_can@hafeleamericas.com

Mexico

Häfele de México S.A. de C.V.
El Marqués, Querétaro, México.
Phone +52 (0)4 42 / 2 96 86 00
Fax +52 (0)4 42 / 2 96 86 20
hmxinfomexico@haefe.com.mx

United States of America

Häfele America Co
Archdale, N.C. 27263
Phone +1 3 36 / 4 34 23 22
Fax +1 3 36 / 4 31 38 31
info_us@hafeleamericas.com

Asia**Kazakhstan**

Häfele Kazakhstan TOO
050008 Almaty
Phone +7 (727) 376 08 13
Fax +7 (727) 376 09 42
info@haefe.kz

Australia, New Zealand

Australia
Häfele Australia Pty. Ltd.
Dandenong, VIC 3175
Phone +61 (0)3 / 92 12 20 00
Fax +61 (0)3 / 92 12 20 01
info@haefe.com.au

New Zealand

Häfele (N.Z.) Limited
East Tamaki, Auckland
Phone +64 (0)9 / 2 74 20 40
Fax +64 (0)9 / 2 74 20 41
info@haefe.co.nz

Middle East

Dubai
Häfele GmbH & Co KG
Dubai Representative Office
Dubai/U.A.E.
Phone +9 71 (0)4 / 2 84 44 06
Fax +9 71 (0)4 / 2 86 08 49
info@haefe.ae

Far East

China
Häfele Hardware Technology
(China) Co., Ltd.
101318 Beijing
Phone +86 (0)10 / 80 48 26 86
Fax +86 (0)10 / 80 48 28 85
info_bj@haefe.com.cn

Hong Kong

Häfele GmbH & Co KG
HK Representative Office
Hong Kong
Phone +8 52 / 23 68 64 33
Fax +8 52 / 23 68 99 72
info_hk@haefe.com.cn

India

Häfele India Private Limited
Mumbai 400 042
Phone +91 (0)22 / 66 95 09 20/21
Fax +91 (0)22 / 66 95 09 22
info@hafeleindia.com

Indonesia

P.T. Häfele Indotama
Tangerang 15314
Phone +62 (0)21 / 75 87 88 88
Fax +62 (0)21 / 75 87 77 77
info@haefe.co.id

Japan

Häfele Japan K.K.
Totsuka-ku, Yokohama 244-0806
Phone +81 (0)45 / 8 28 31 17
Fax +81 (0)45 / 8 28 31 13
info@haefe.co.jp

Korea

Häfele Korea Inc.
659 Jinu-ri, Dochuk-myon,
Gwangju-si, Gyeonggi-do
Phone +82 (0)31 / 7 60 76 00
Fax +82 (0)31 / 7 60 76 09
info@haefe.co.kr

Malaysia

Häfele (Malaysia) Sdn Bhd
40150 Shah Alam, Selangor
Phone +60 (0)3 / 55 69 25 26
Fax +60 (0)3 / 55 69 35 26
info@haefe.com.my

Philippines

Häfele Philippines Inc.
Barangay Ususan
Taguig City 1638
Metro Manila
Phone +63 (0)2 / 5 71 36 78
Fax +63 (0)2 / 5 71 36 99
info@haefe.com.ph

Singapore

Häfele Singapore Pte Ltd
Singapore 729504
Phone +65 / 64 94 74 00
Fax +65 / 64 94 74 01
info@haefe.com.sg

Taiwan

Häfele Taiwan Ltd.
Taipei County 248, Taiwan (R.O.C.)
Phone +8 86 (0)2 / 22 98 00 30
Fax +8 86 (0)2 / 22 98 00 31
info@haefe.com.tw

Thailand

Häfele (Thailand) Limited
57 Soi Sukhumvit 64
Bangkok 10260
Phone +66 (0)2 / 7 41 71 71
Fax +66 (0)2 / 7 41 72 72
info@haefe.co.th

Vietnam

Häfele Vina Co., Ltd.
Ho Chi Minh City
Phone +84 (0)8 / 39 57 31 66
Fax +84 (0)8 / 39 57 31 67
info@haefe.com.vn

Imprint

Reproduction of this catalogue in whole or in part, the copying or imitation of any illustrations and the imitation of the layout are strictly prohibited.

The technical descriptions and dimensions in this catalogue, also those with the photographs and drawings, are not binding. We reserve the right to alter specifications without notice. All dimensions in mm, unless stated otherwise.

All deliveries are subject to the Häfele conditions of sale, delivery and payment, which can be inspected at www.hafele.com.

Issued by:
Häfele GmbH & Co KG
Adolf-Häfele-Straße 1
D-72202 Nagold

Telephone +49(0)74 52/95-0
Fax +49(0)74 52/95-200
Internet: www.hafele.com
e-mail: info@haefele.de

May 2011
© by Häfele Nagold.
All rights reserved.
Printed in Germany.
Imprimé en Allemagne.

